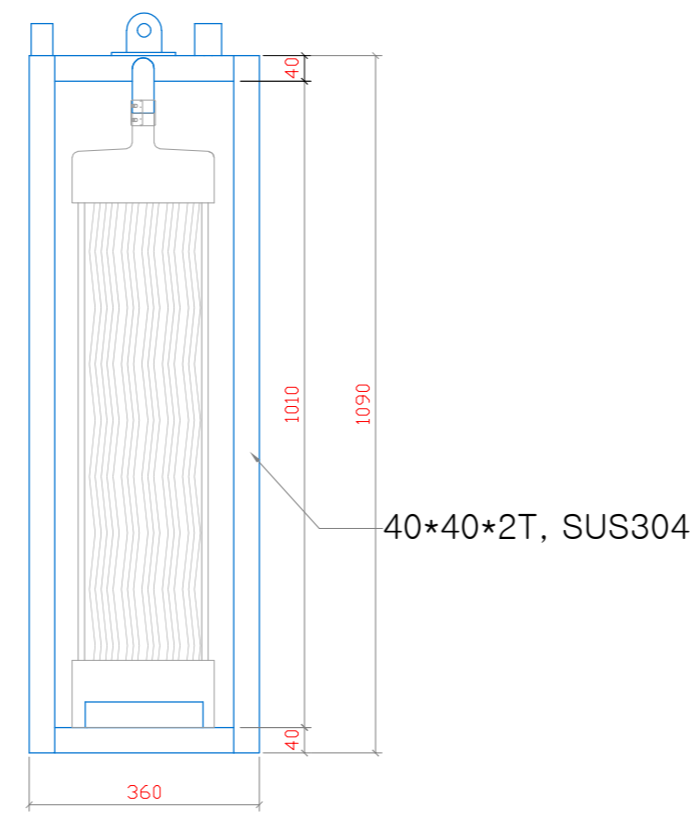
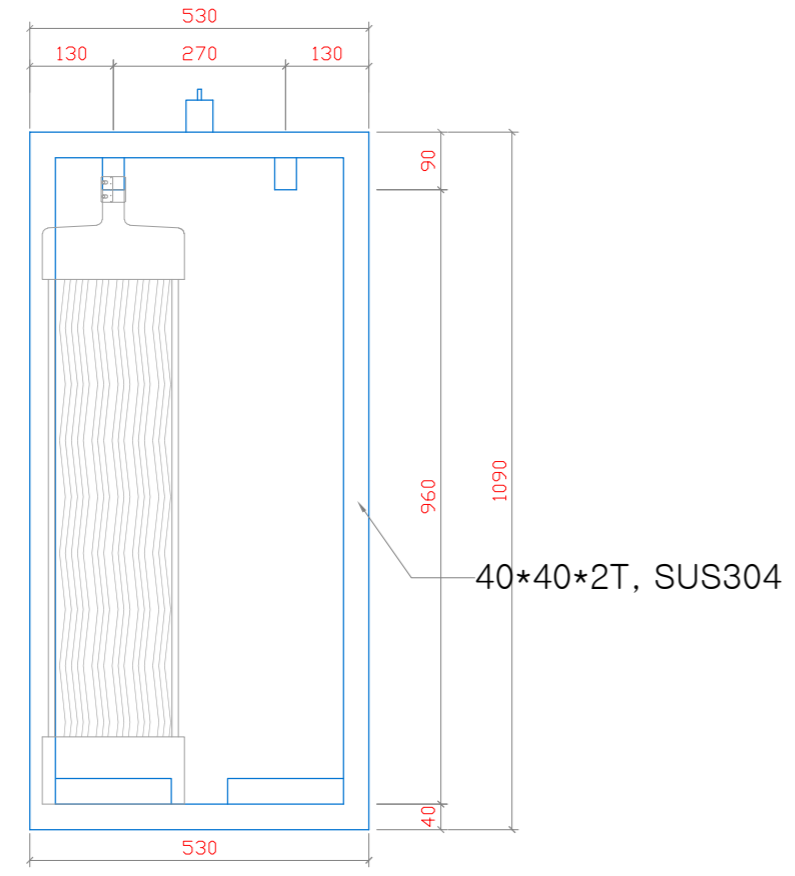
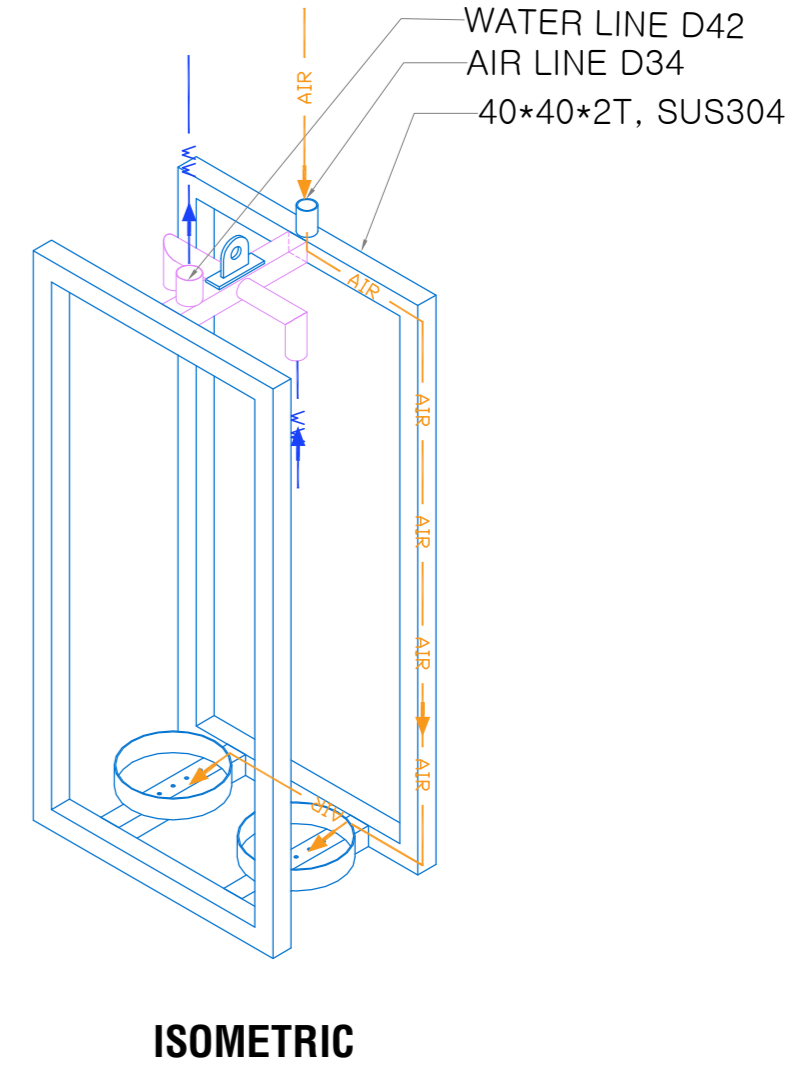
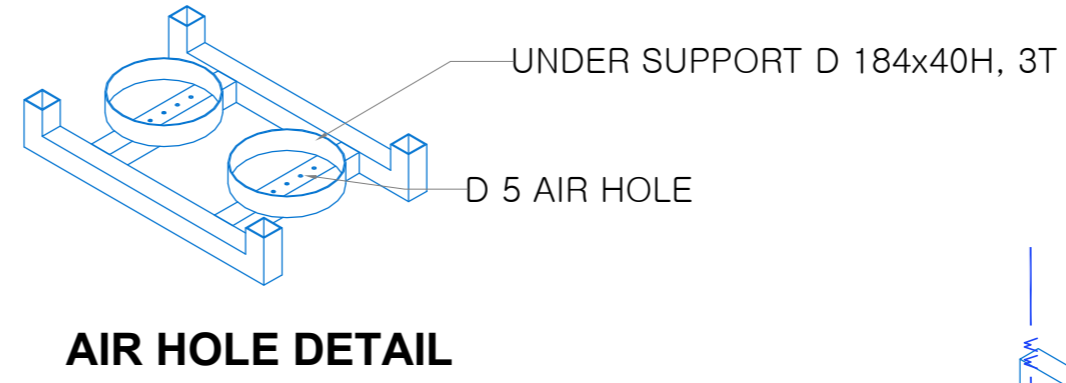
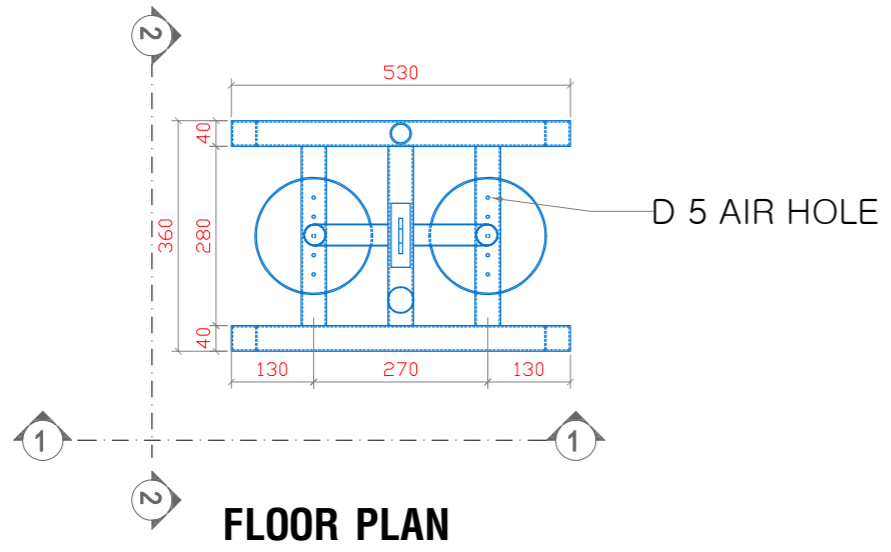


DETAIL OF DFX-810*2F

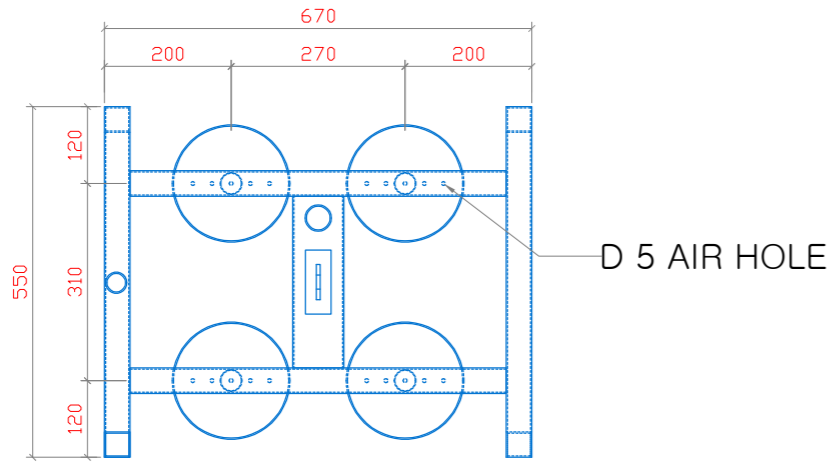


REV.	DATE	DESCRIPTION	DWN	CKD	RVD	PM

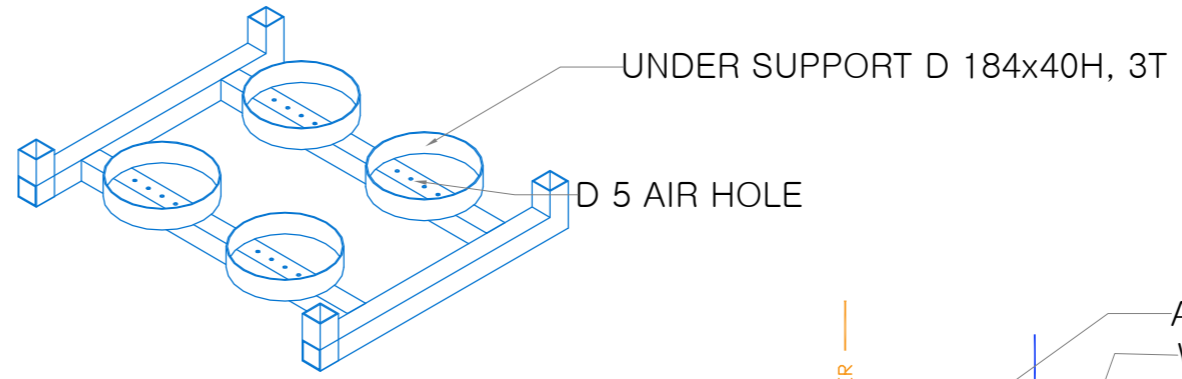
PROJECT NAME	
CLIENT	
DEERFOS MEMBRANES	
TITLE	DETAIL OF DFX-810 * 2F
SCALE	N/S
REV.	



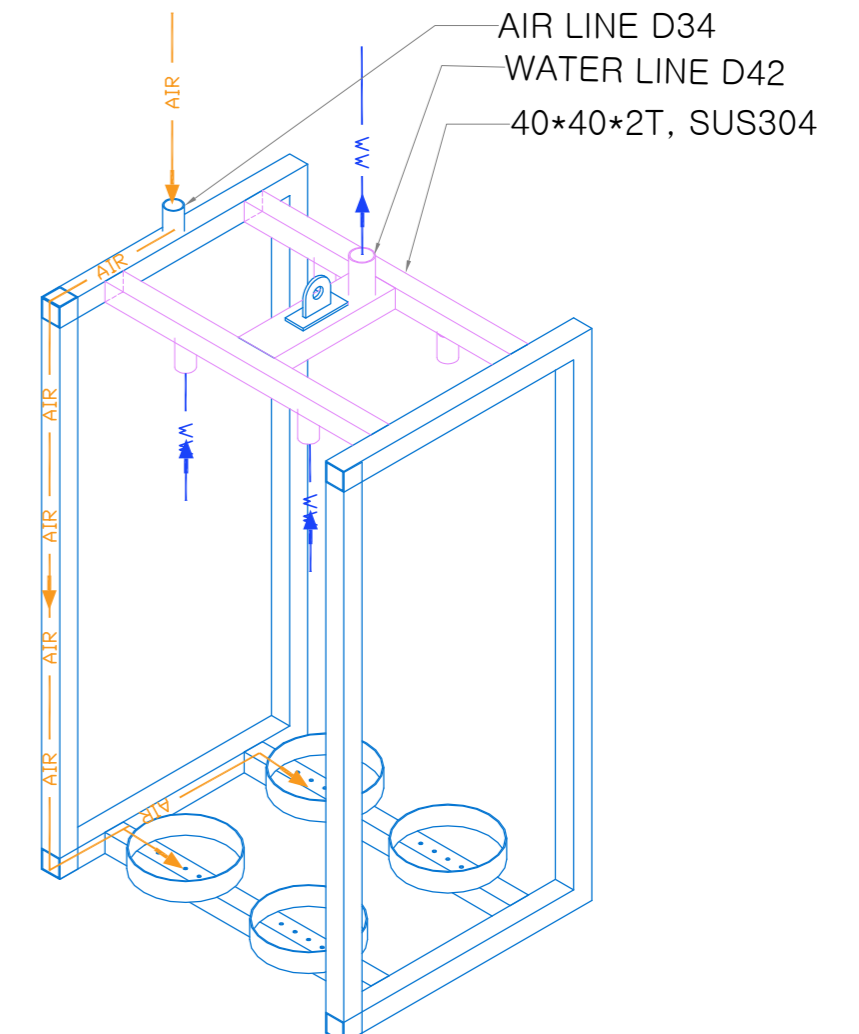
DETAIL OF DFX-810*4F



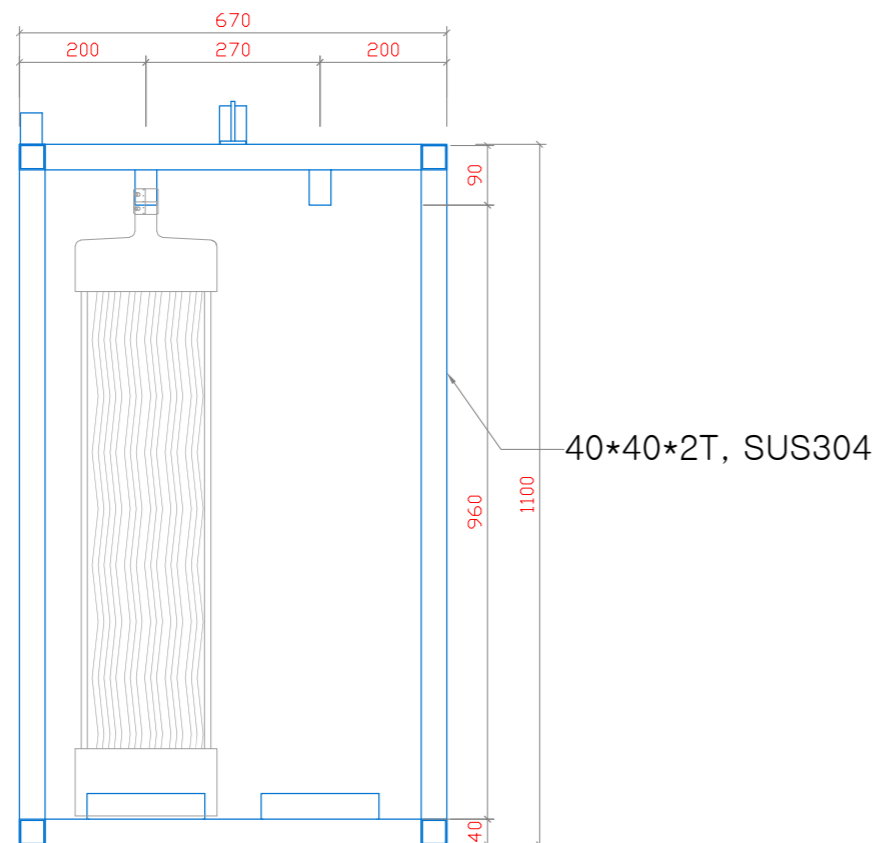
FLOOR PLAN



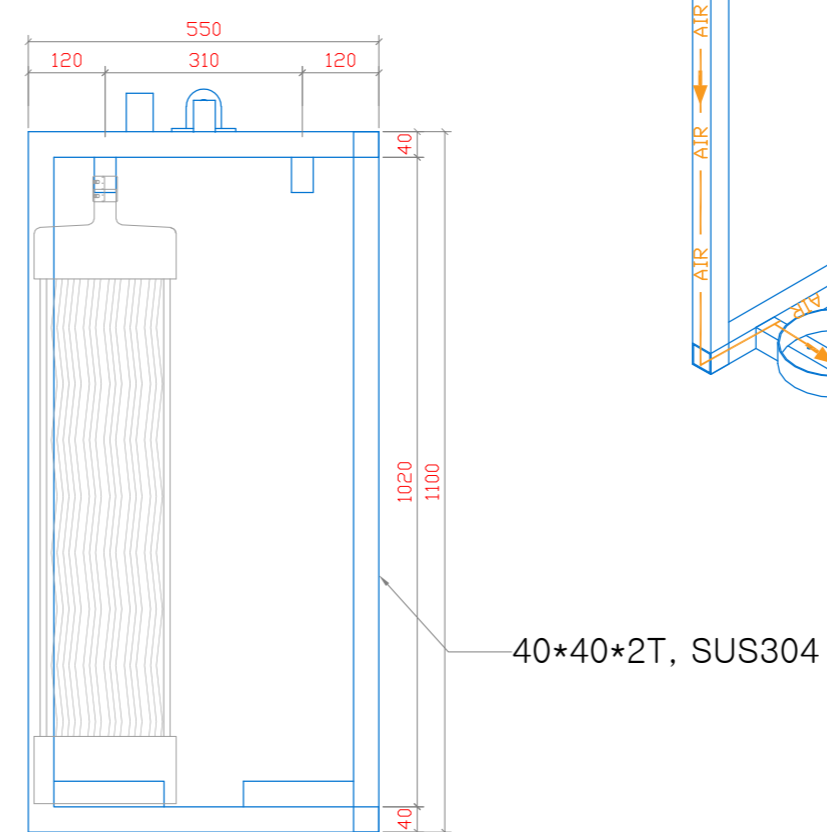
AIR HOLE DETAIL



ISOMETRIC



SECTION 1-1



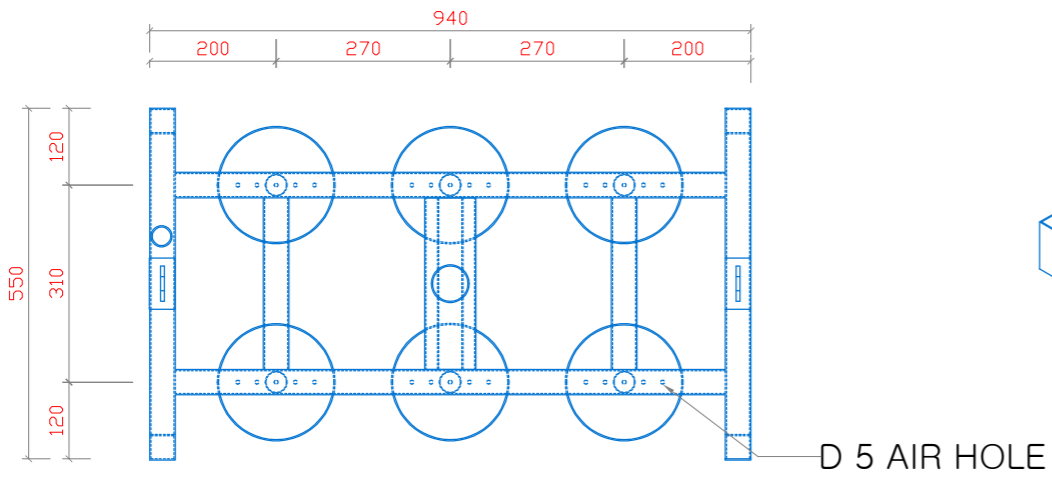
SECTION 2-2

REV.	DATE	DESCRIPTION	DWN	CKD	RVD	PM

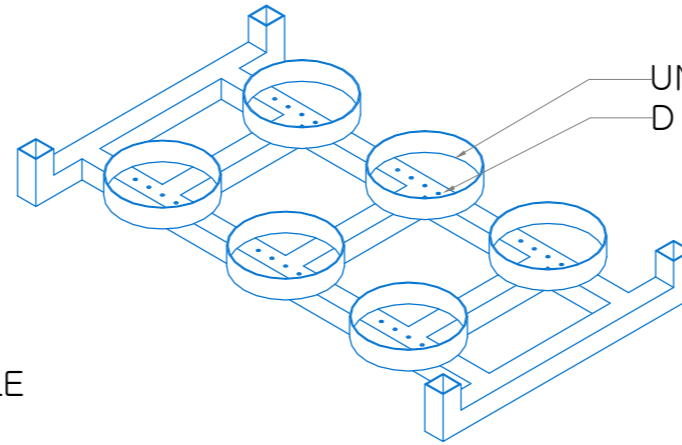
PROJECT NAME	
CLIENT	
DEERFOS MEMBRANES	
TITLE	DETAIL OF DFX-810 * 4F
SCALE	N/S
REV.	



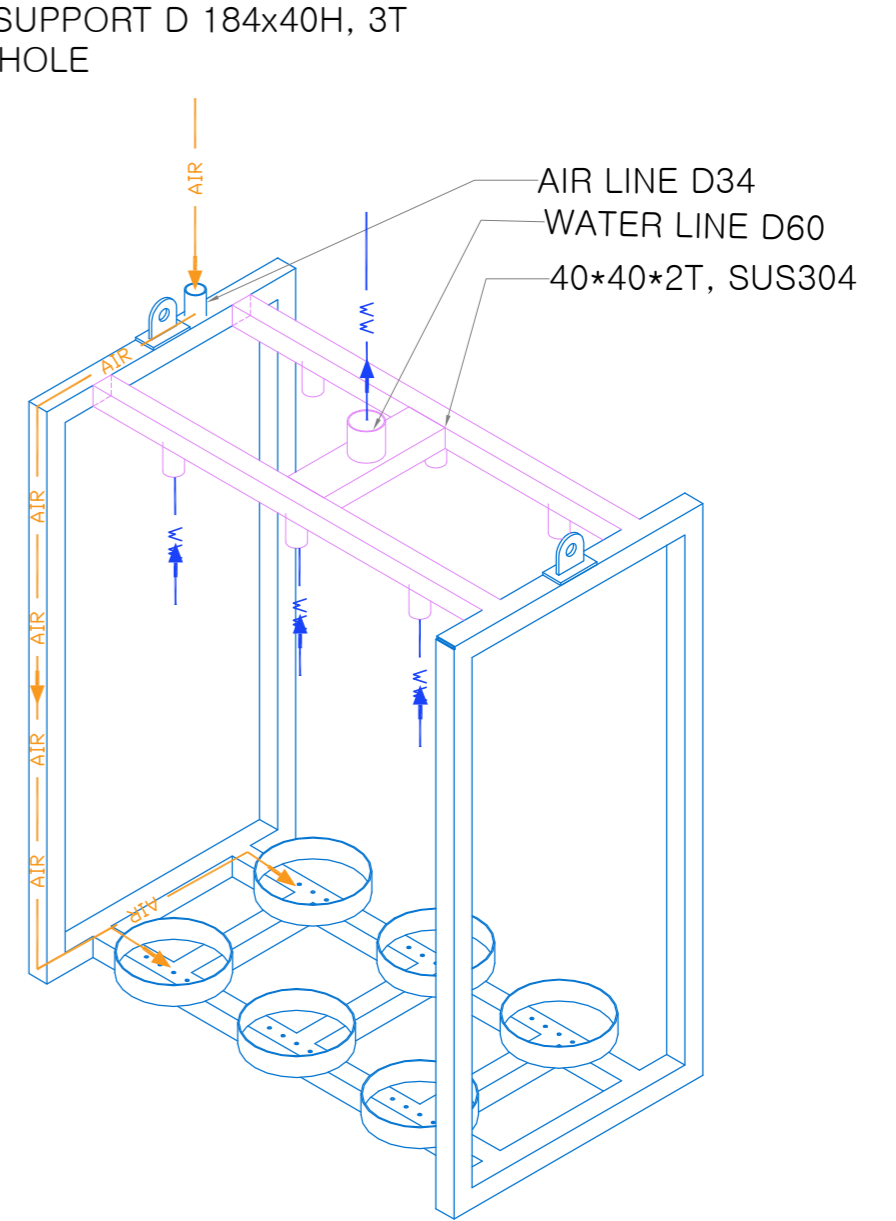
DETAIL OF DFX-810*6F



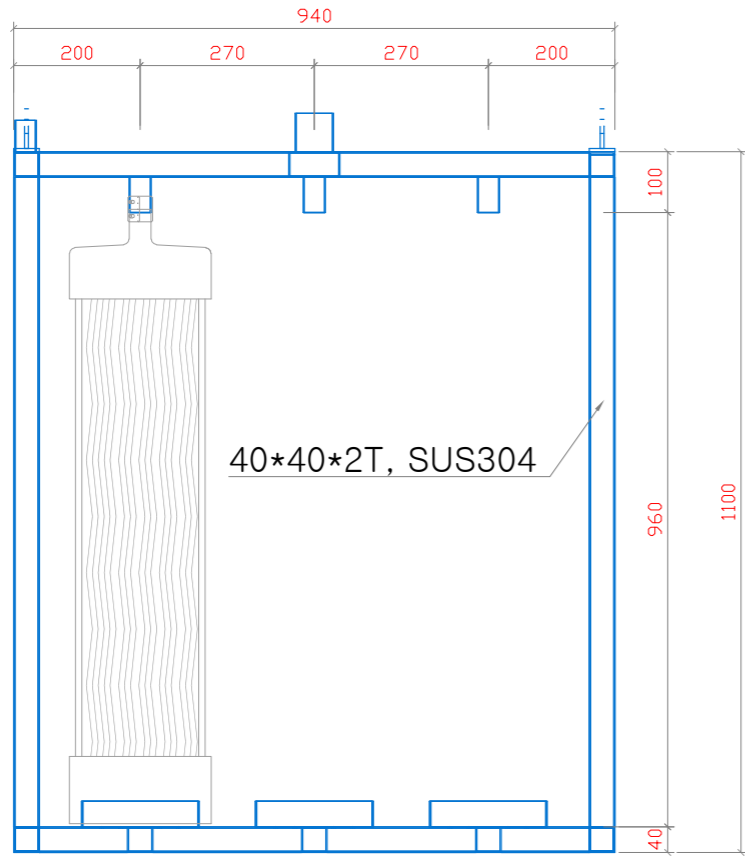
FLOOR PLAN



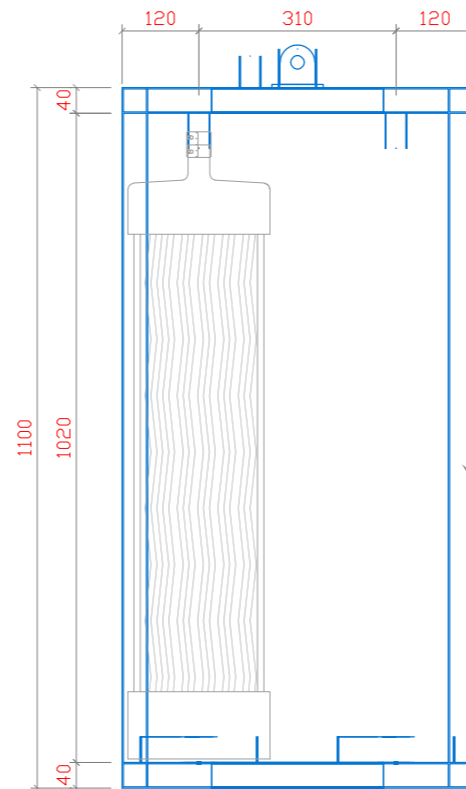
AIR HOLE DETAIL



ISOMETRIC



SECTION 1-1



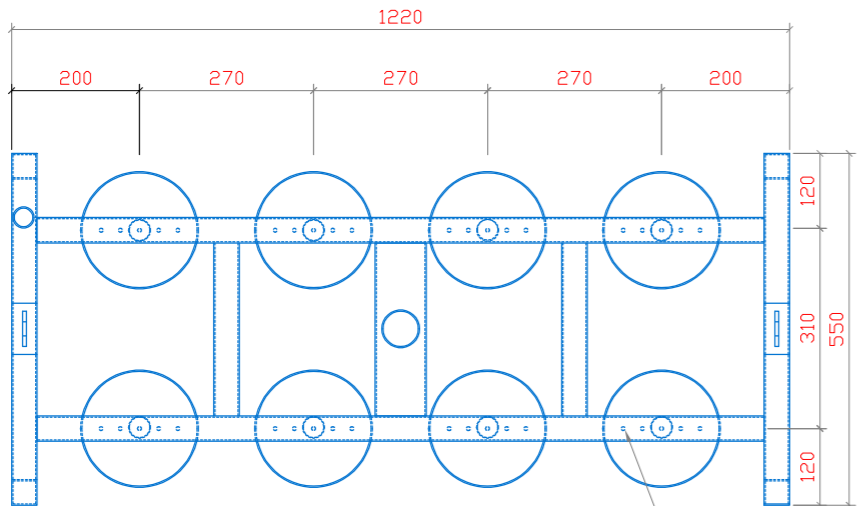
SECTION 2-2

REV.	DATE	DESCRIPTION	DWN	CKD	RVD	PM

PROJECT NAME	
CLIENT	
DEERFOS MEMBRANES	
TITLE	DETAIL OF DFX-810 * 6F
SCALE	N/S
REV.	

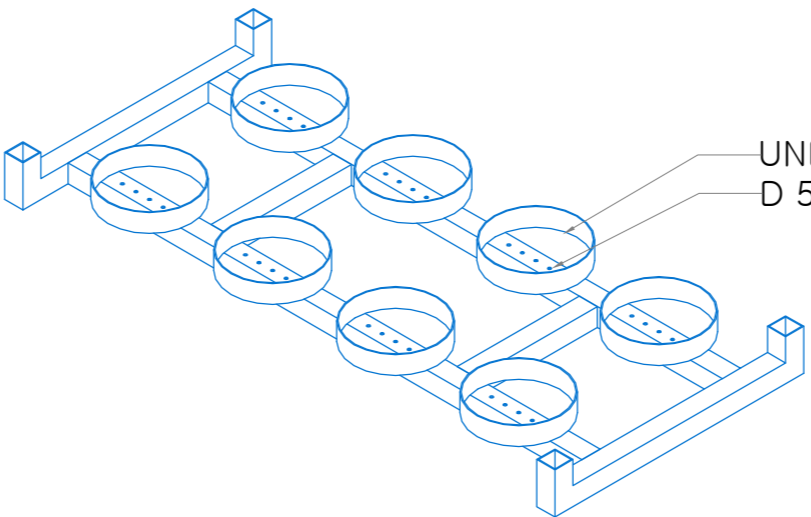


DETAIL OF DFX-810*8F

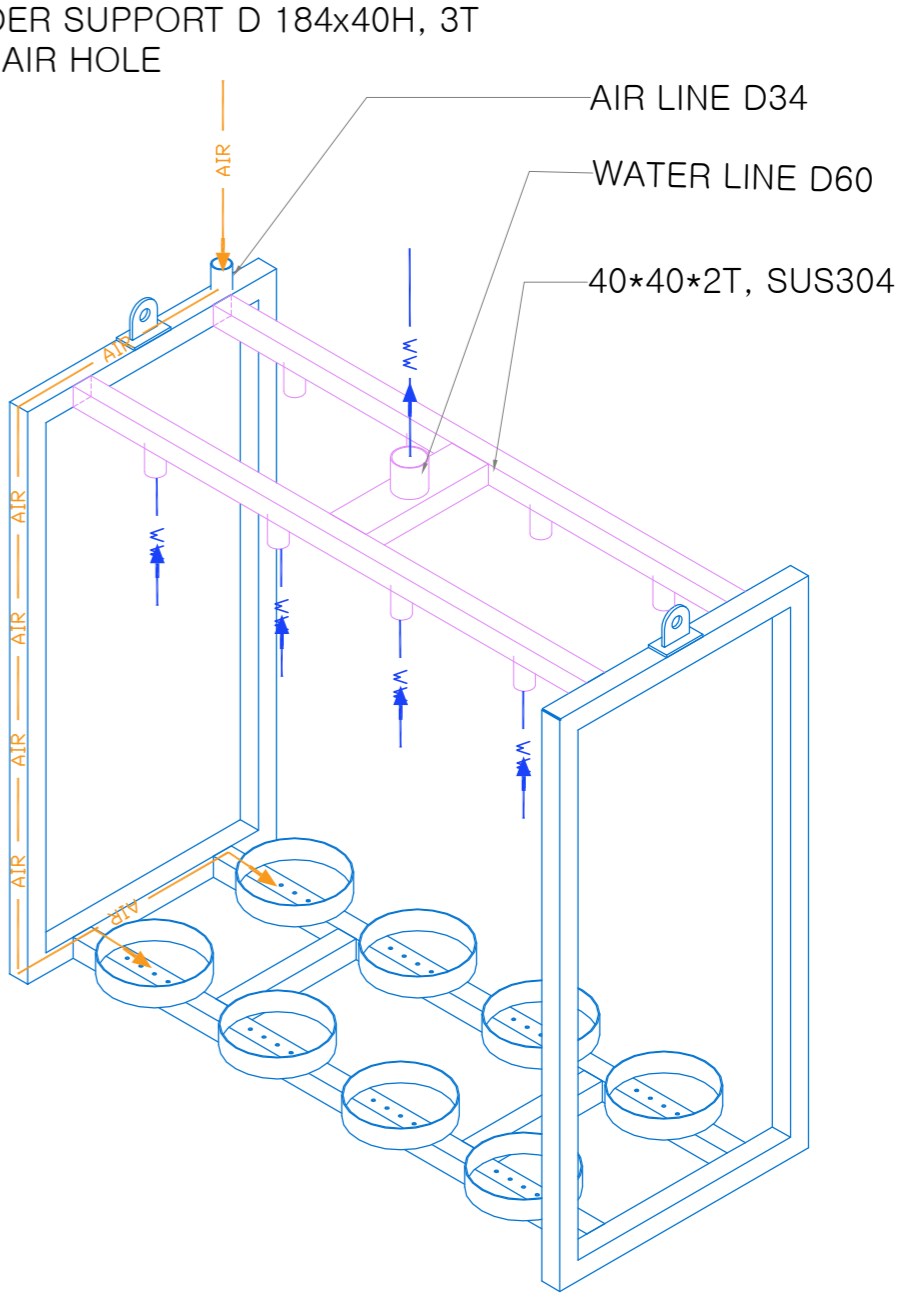


FLOOR PLAN

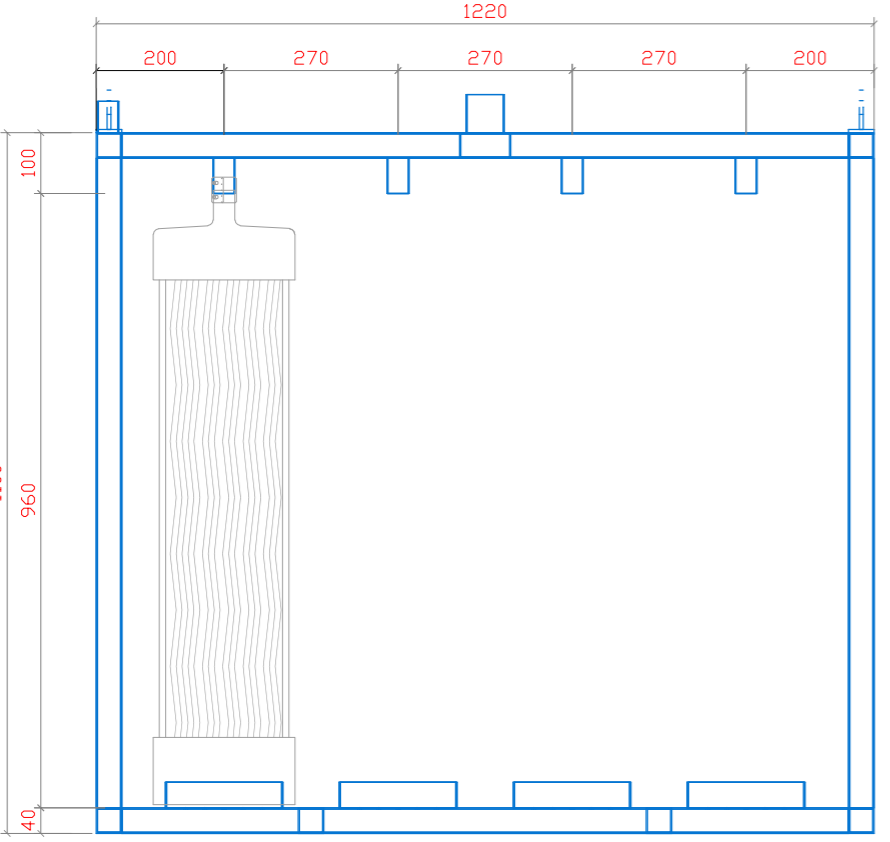
D 5 AIR HOLE



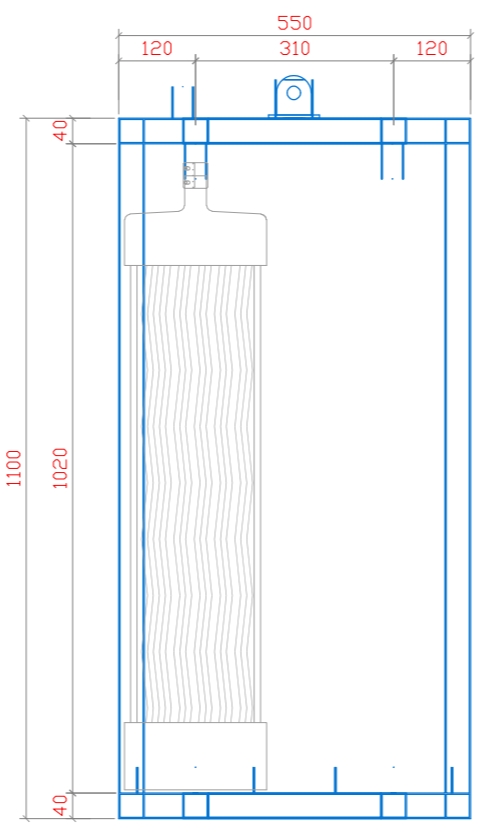
AIR HOLE DETAIL



ISOMETRIC



SECTION 1-1



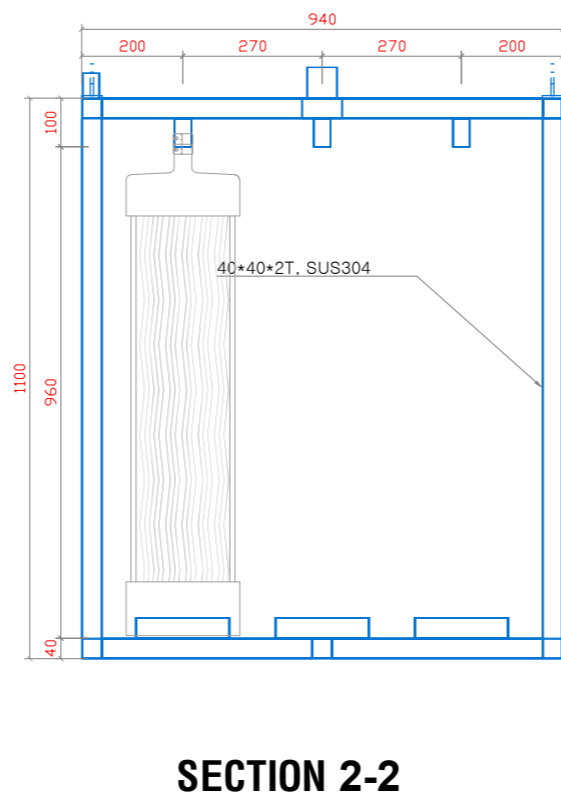
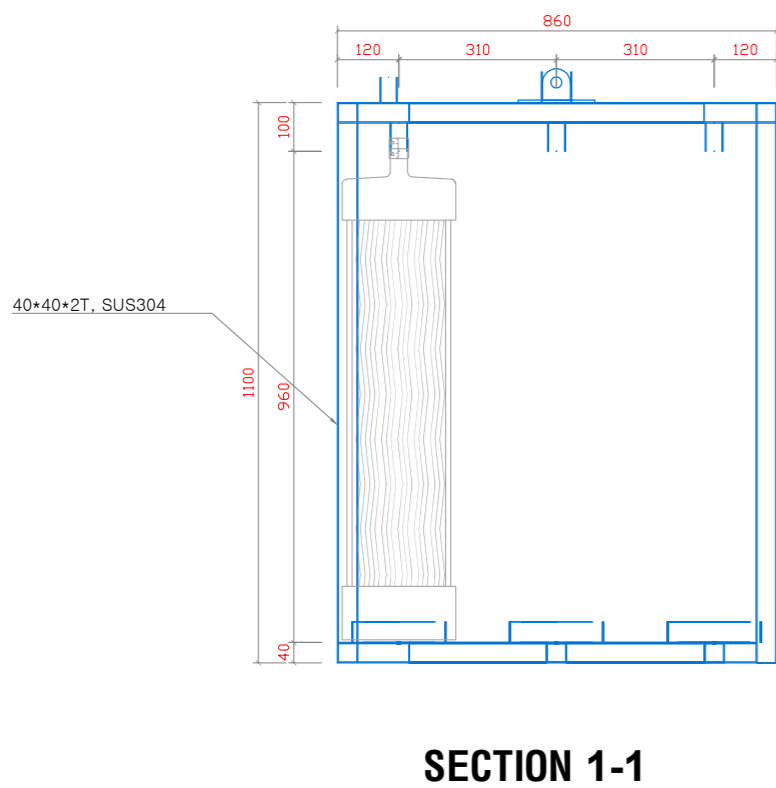
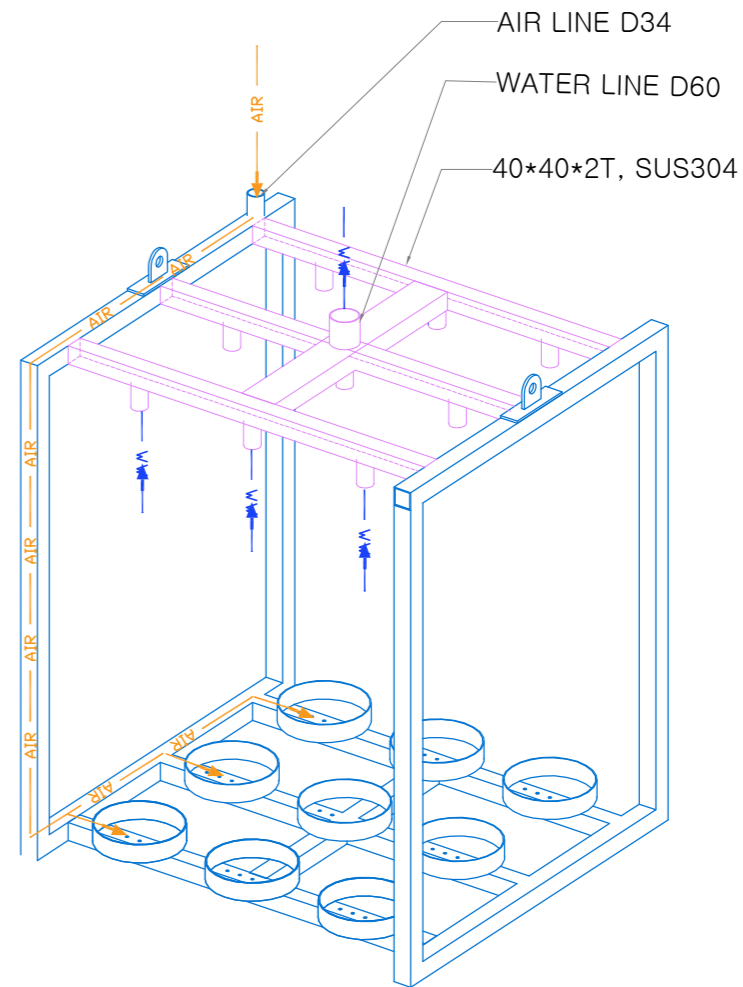
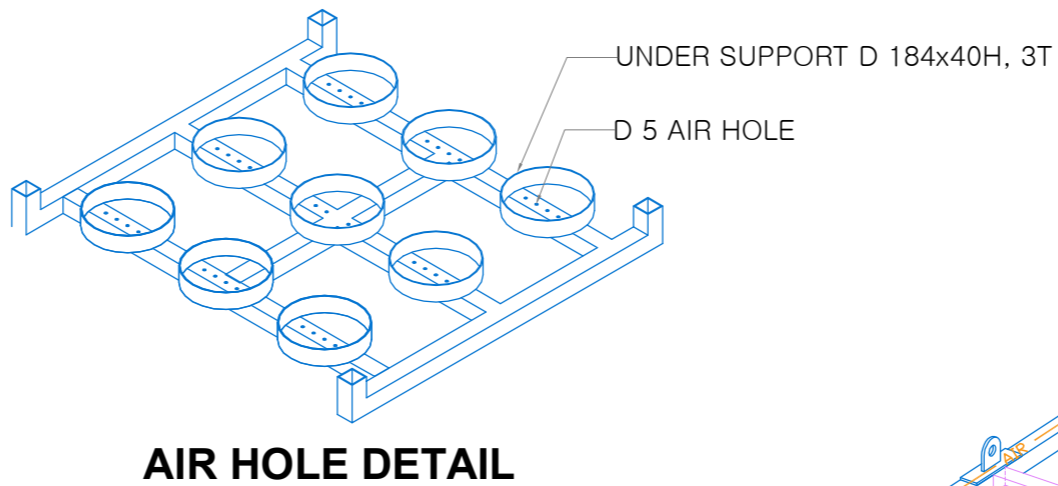
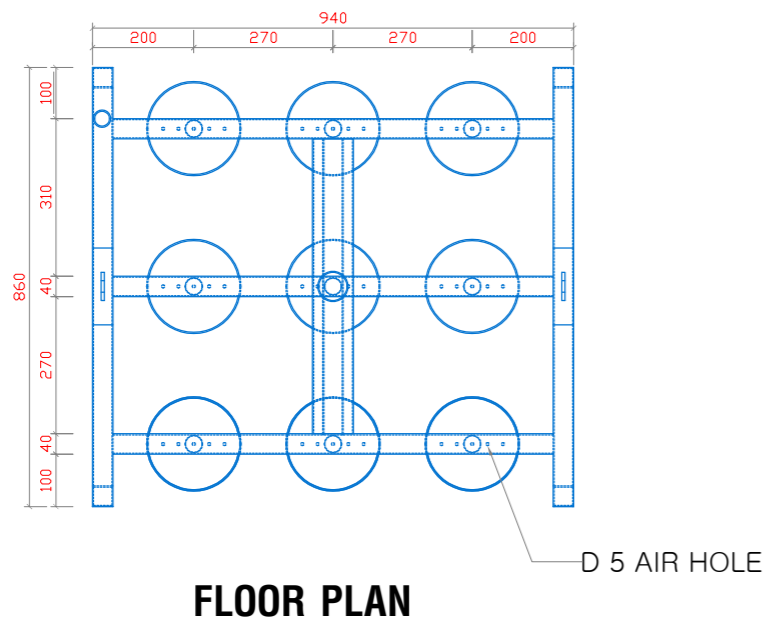
SECTION 2-2

REV.	DATE	DESCRIPTION	DWN	CKD	RVD	PM

PROJECT NAME	
CLIENT	
DEERFOS MEMBRANES	
TITLE	DETAIL OF DFX-810 * 8F
SCALE	N/S
REV.	



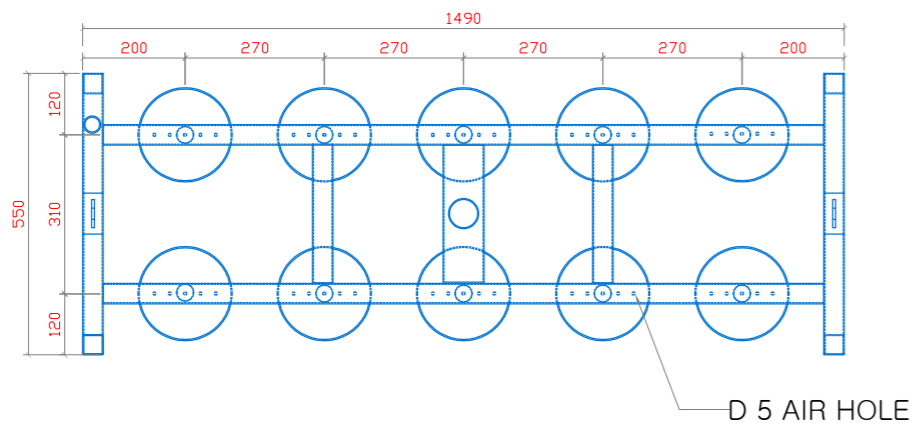
DETAIL OF DFX-810*9F



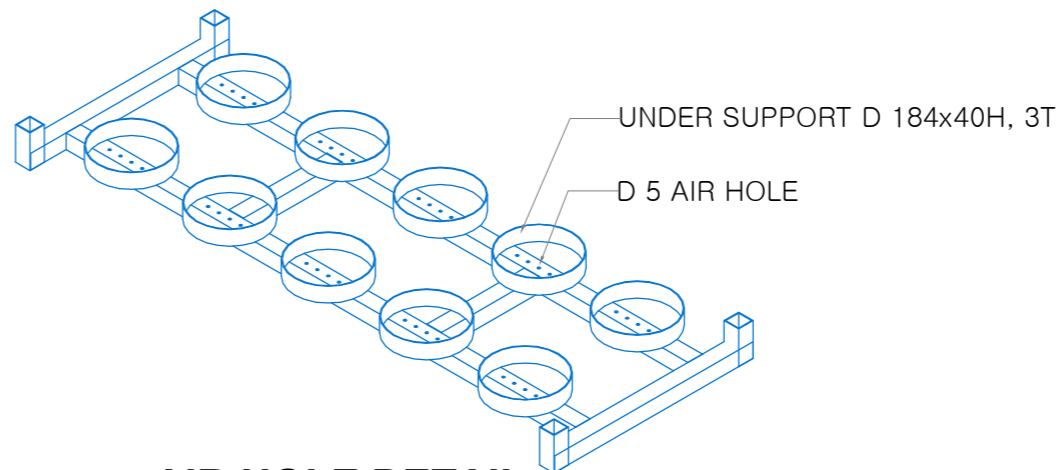
PROJECT NAME						
CLIENT						
ISSUE	A					
ISSUE	A					
TITLE	DETAIL OF DFX-810 * 9F					
SCALE	N/S					
REV.	DATE	DESCRIPTION	DWN	CKD	RVD	PM



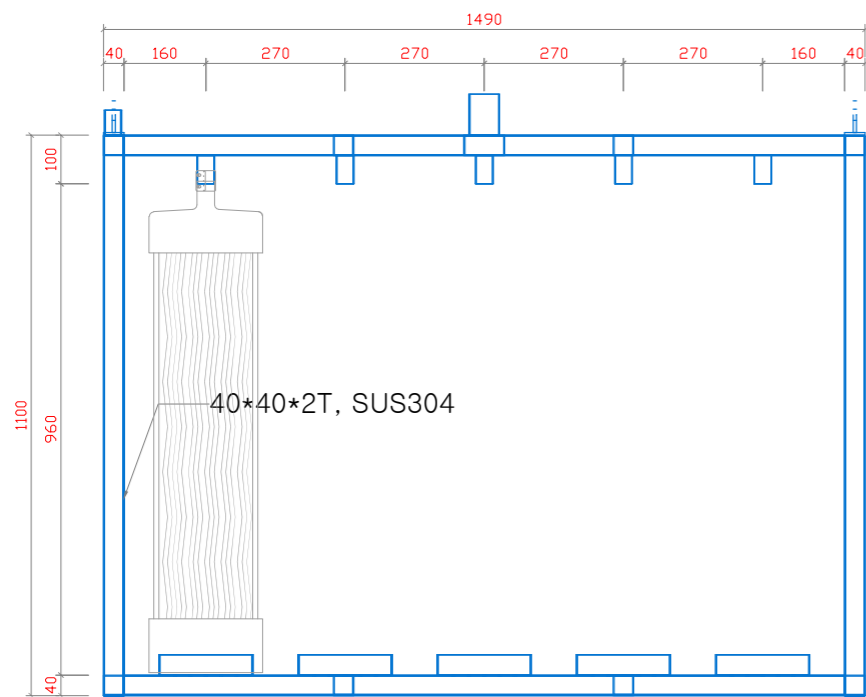
DETAIL OF DFX-810*10F



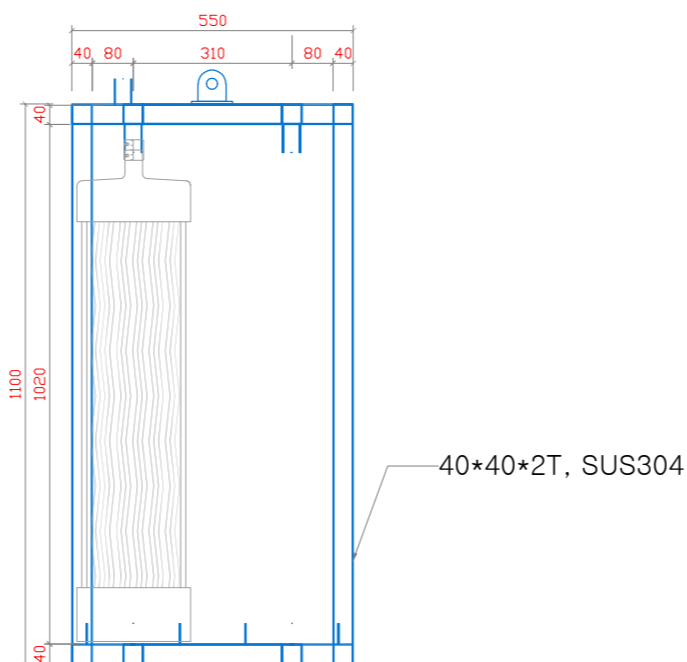
FLOOR PLAN



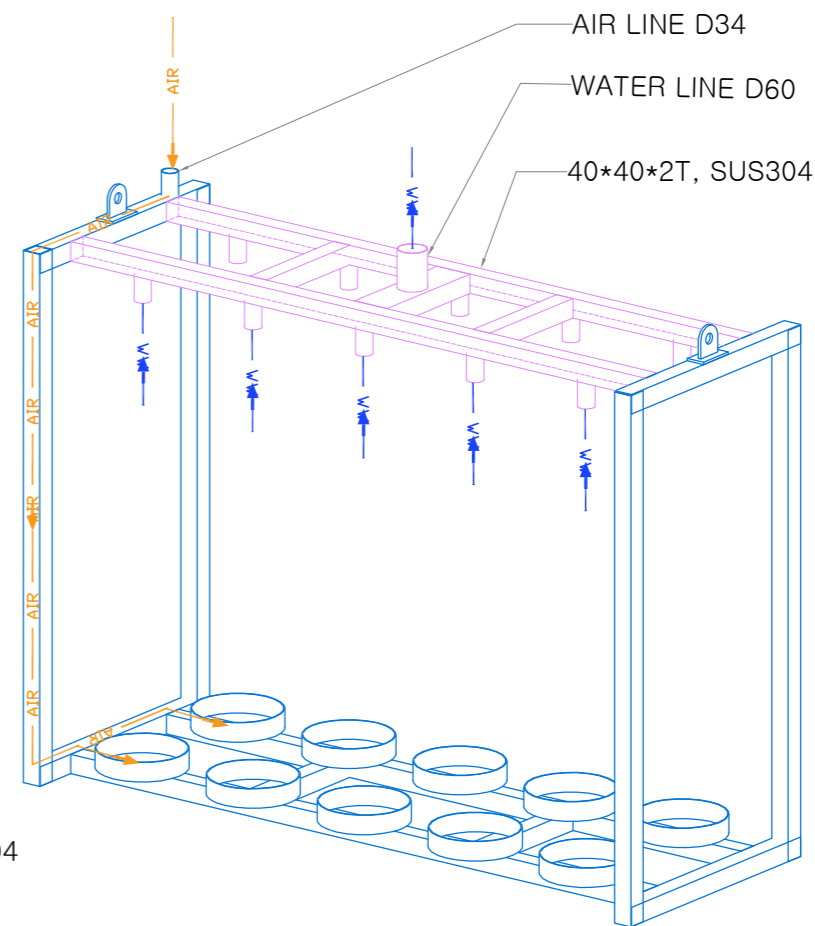
AIR HOLE DETAIL



SECTION 1-1



SECTION 2-2



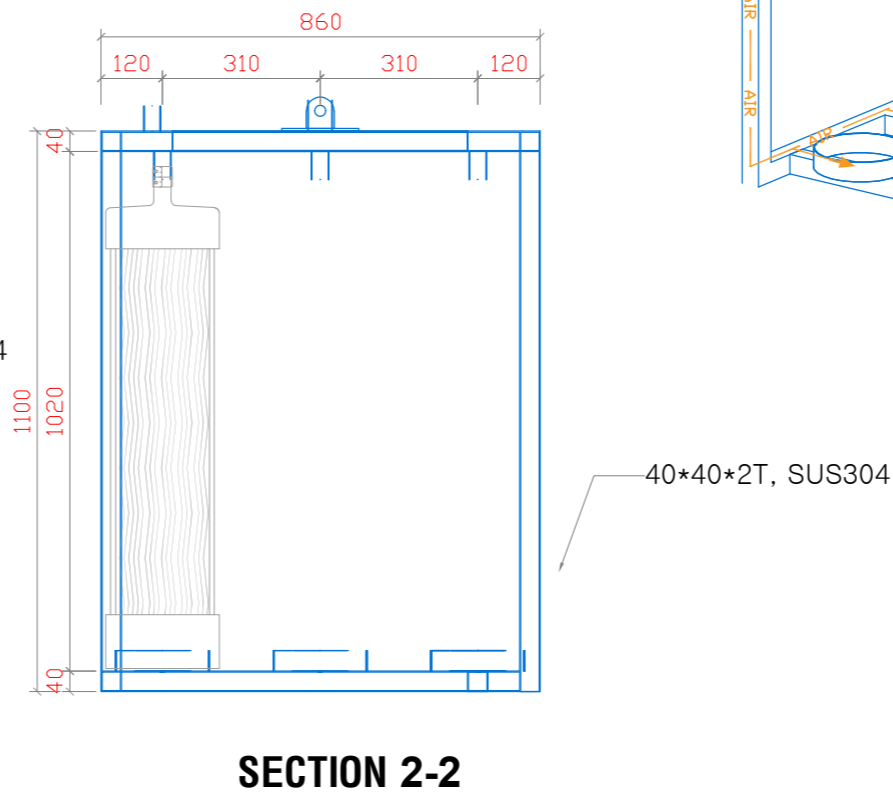
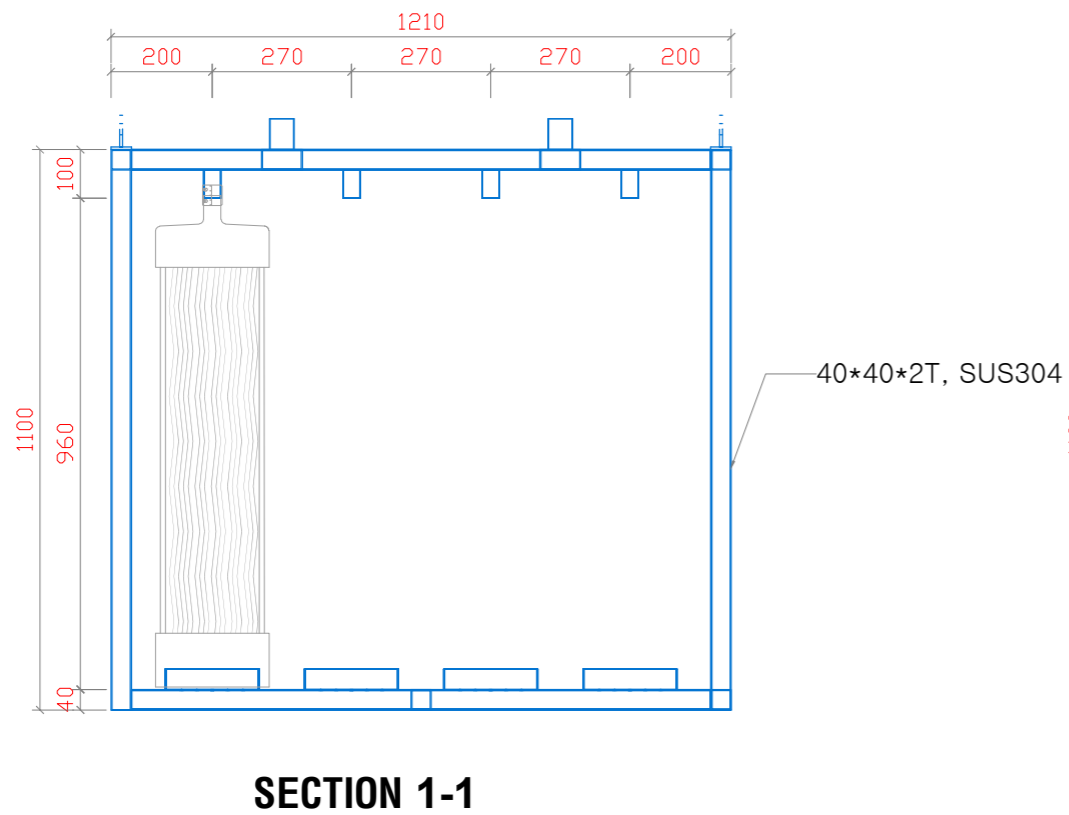
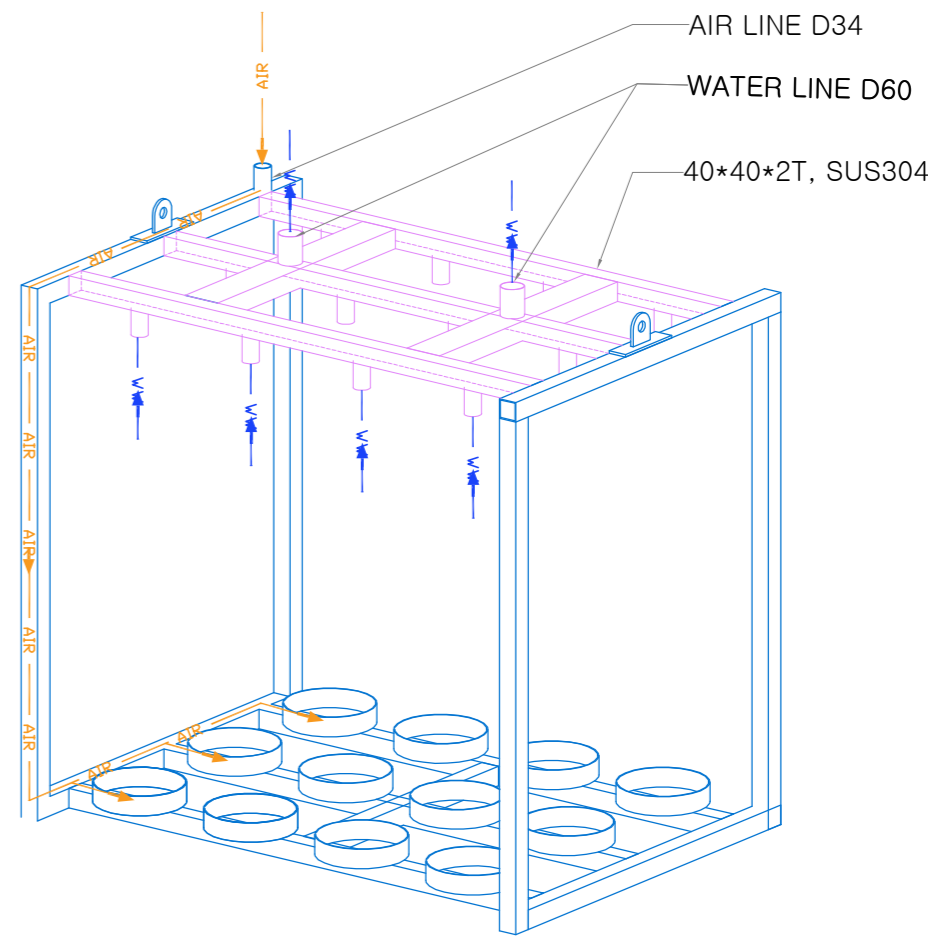
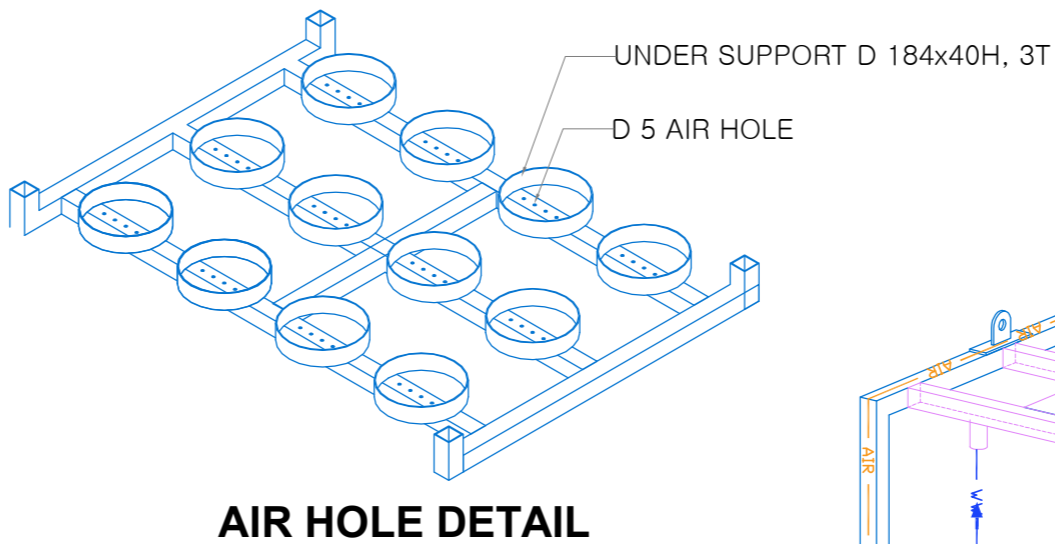
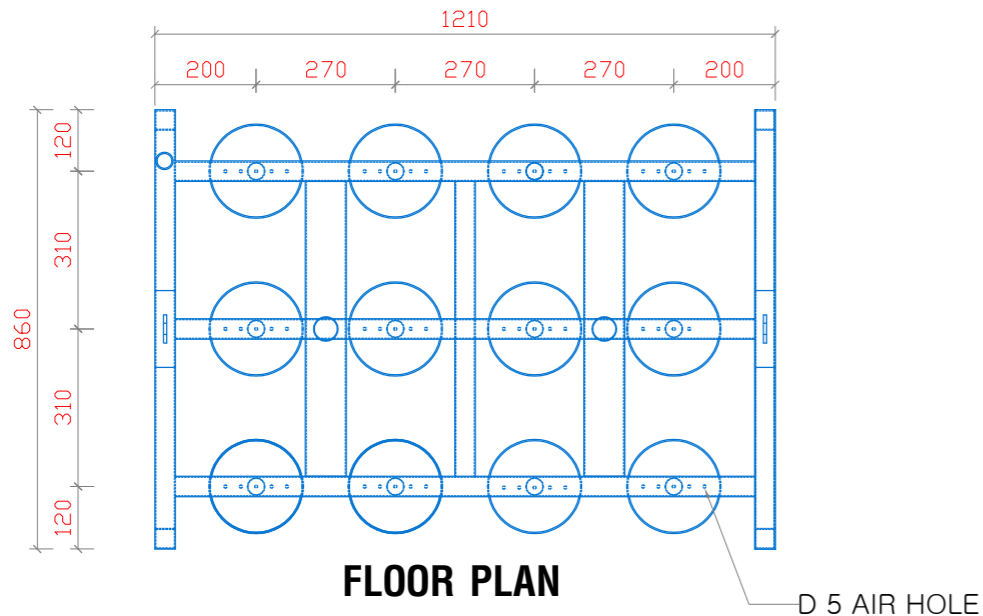
ISOMETRIC

REV.	DATE	DESCRIPTION	DWN	CKD	RVD	PM

PROJECT NAME	
CLIENT	
DEERFOS MEMBRANES	
TITLE	DETAIL OF DFX-810 * 10F
SCALE	N/S
REV. Δ	



DETAIL OF DFX-810*12F



PROJECT NAME	
CLIENT	
DEERFOS MEMBRANES	
TITLE	DETAIL OF DFX-810 * 12F
SCALE	N/S
REV. DATE	DESCRIPTION
DWN	CKD
RVD	PM

REV.	DATE	DESCRIPTION	DWN	CKD	RVD	PM