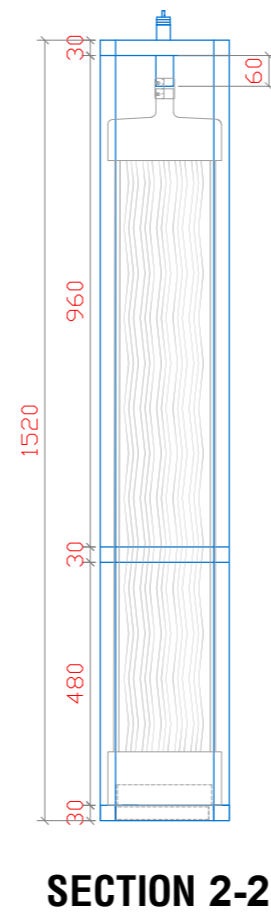
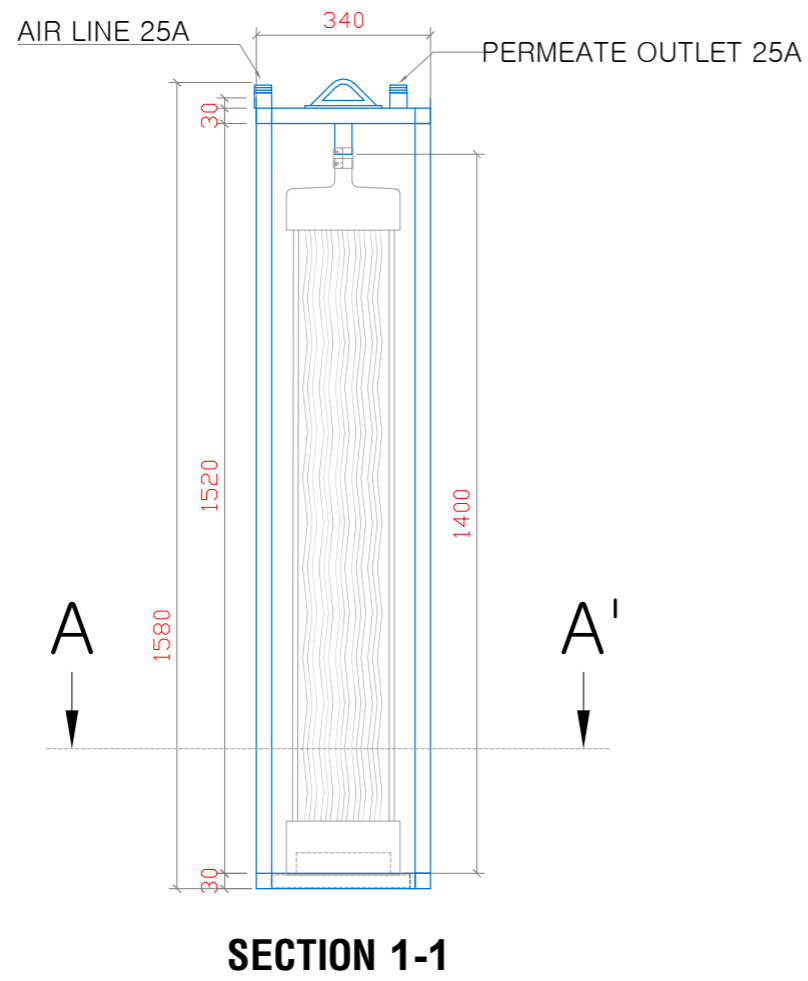
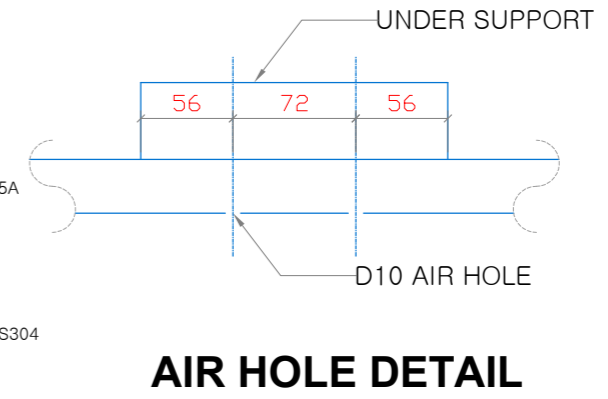
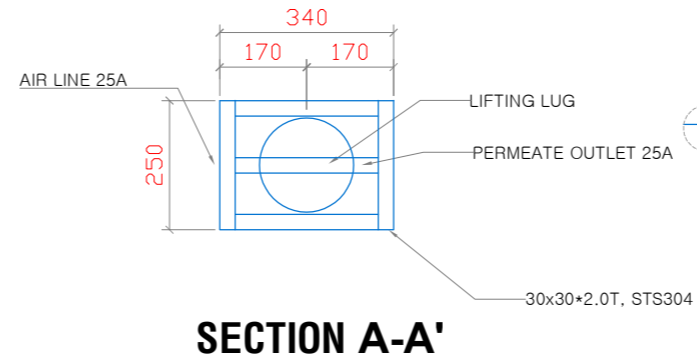
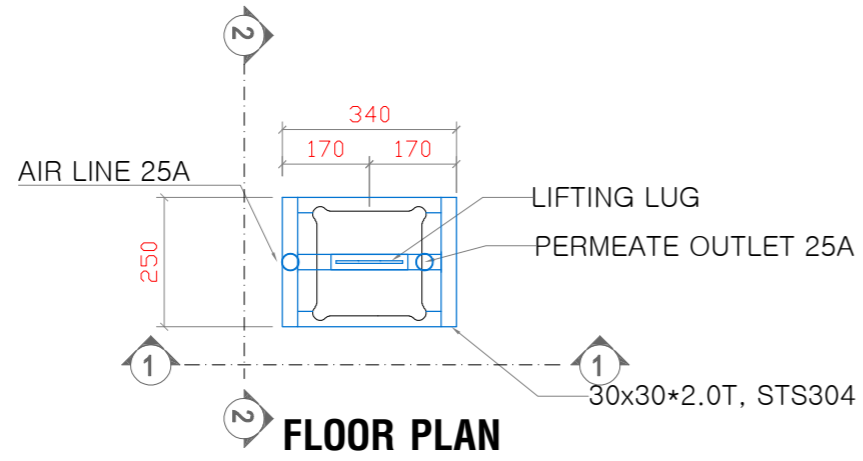


# DETAIL OF DFX-820\*1F

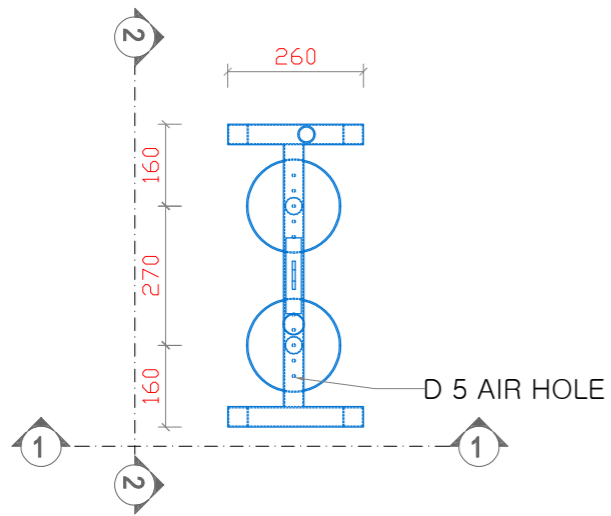


PROJECT NAME	
CLIENT	
ISSUE	A
DEERFOS MEMBRANES	A
TITLE	DETAIL OF DFX-820 * 1F
SCALE	N/S
REV. DATE	
DESCRIPTION	
DWN	
CKD	
RVD	
PM	
DWG. START DATE	
REV. A	

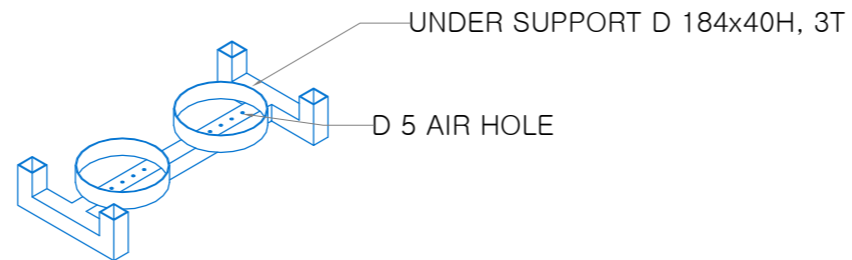
REV.	DATE	DESCRIPTION	DWN	CKD	RVD	PM



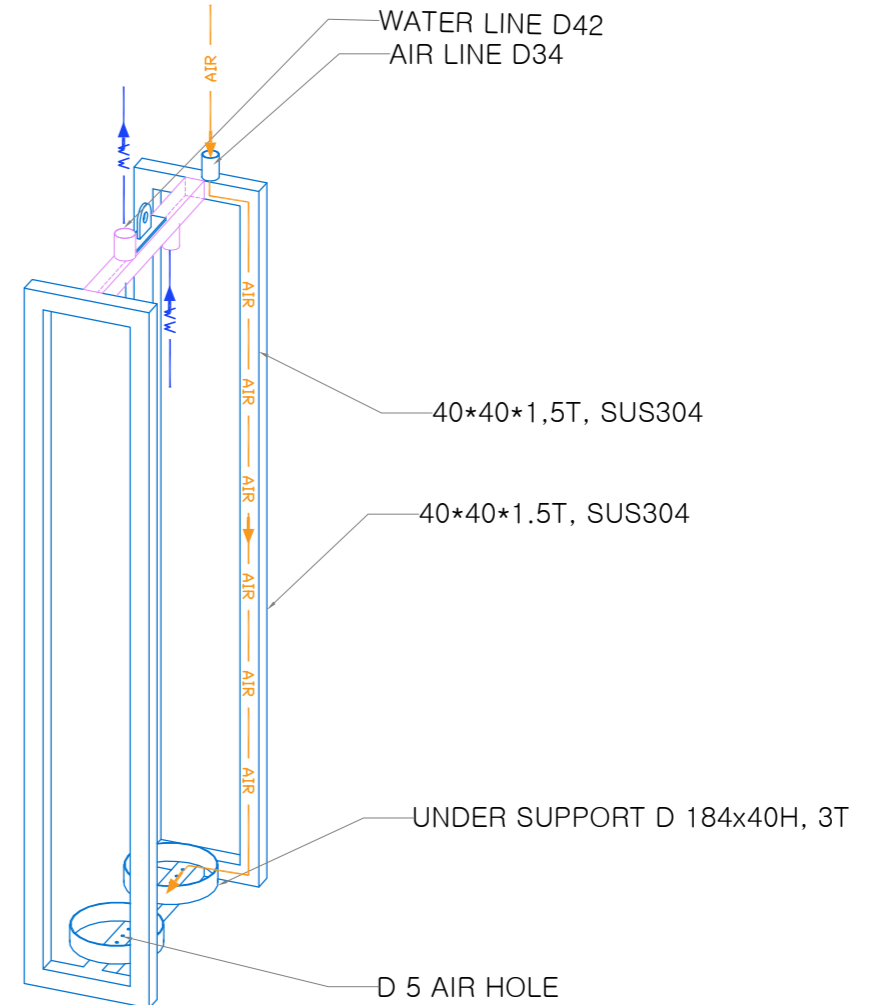
# DETAIL OF DFX-820\*2F



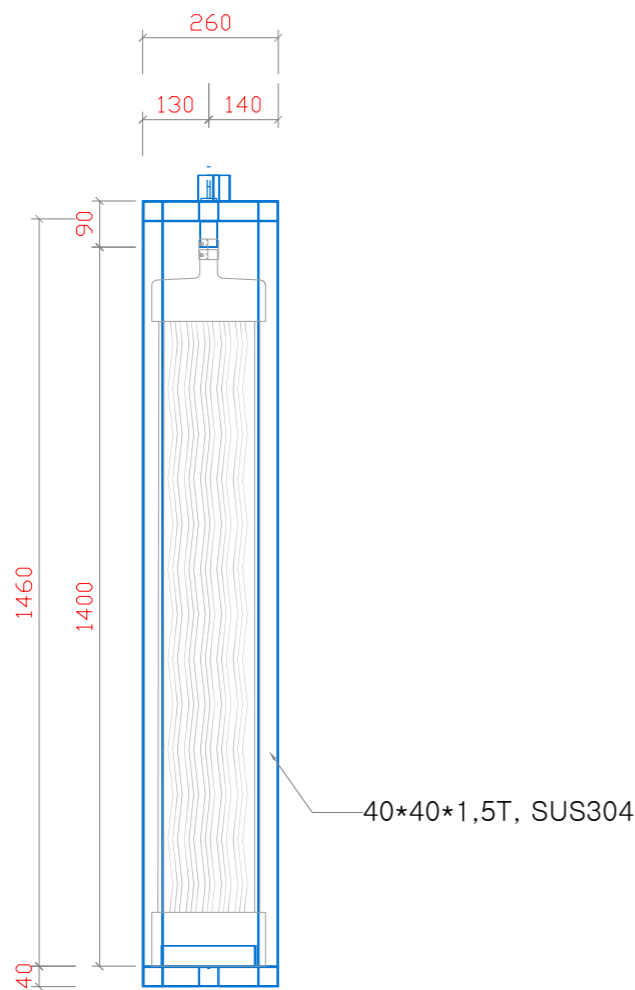
**FLOOR PLAN**



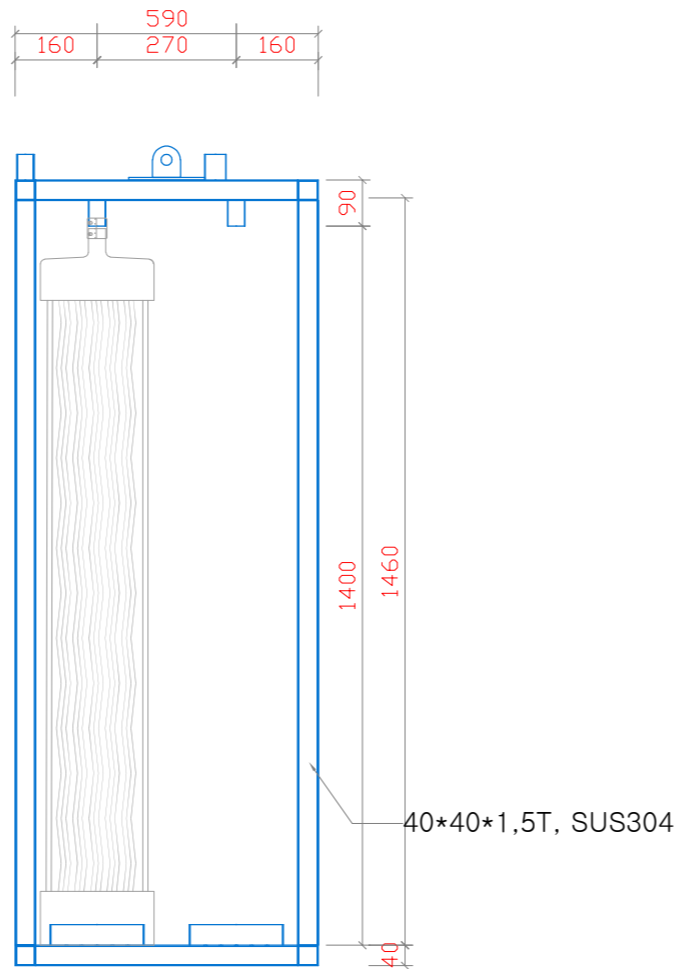
**AIR HOLE DETAIL**



**ISOMETRIC**



**SECTION 1-1**



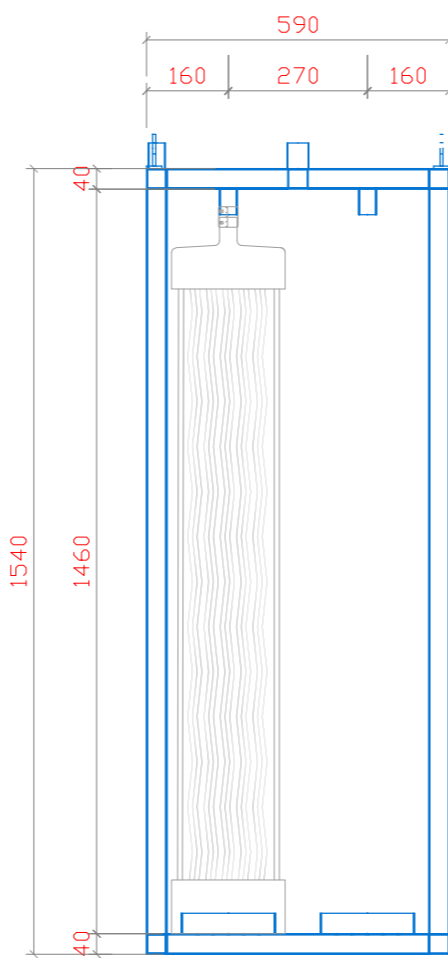
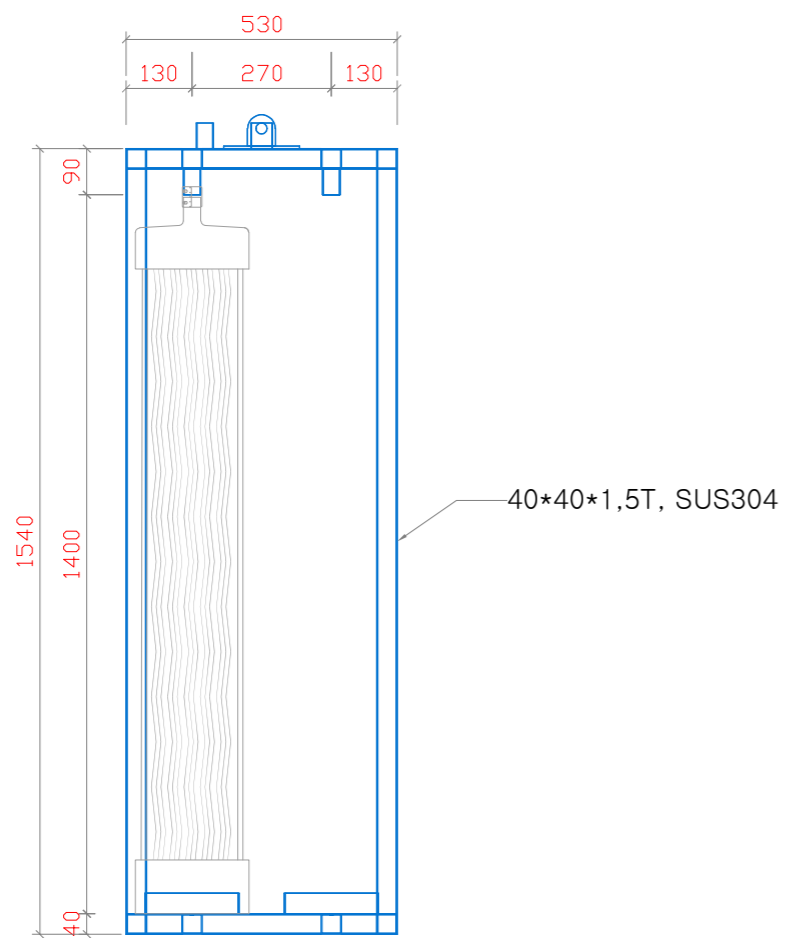
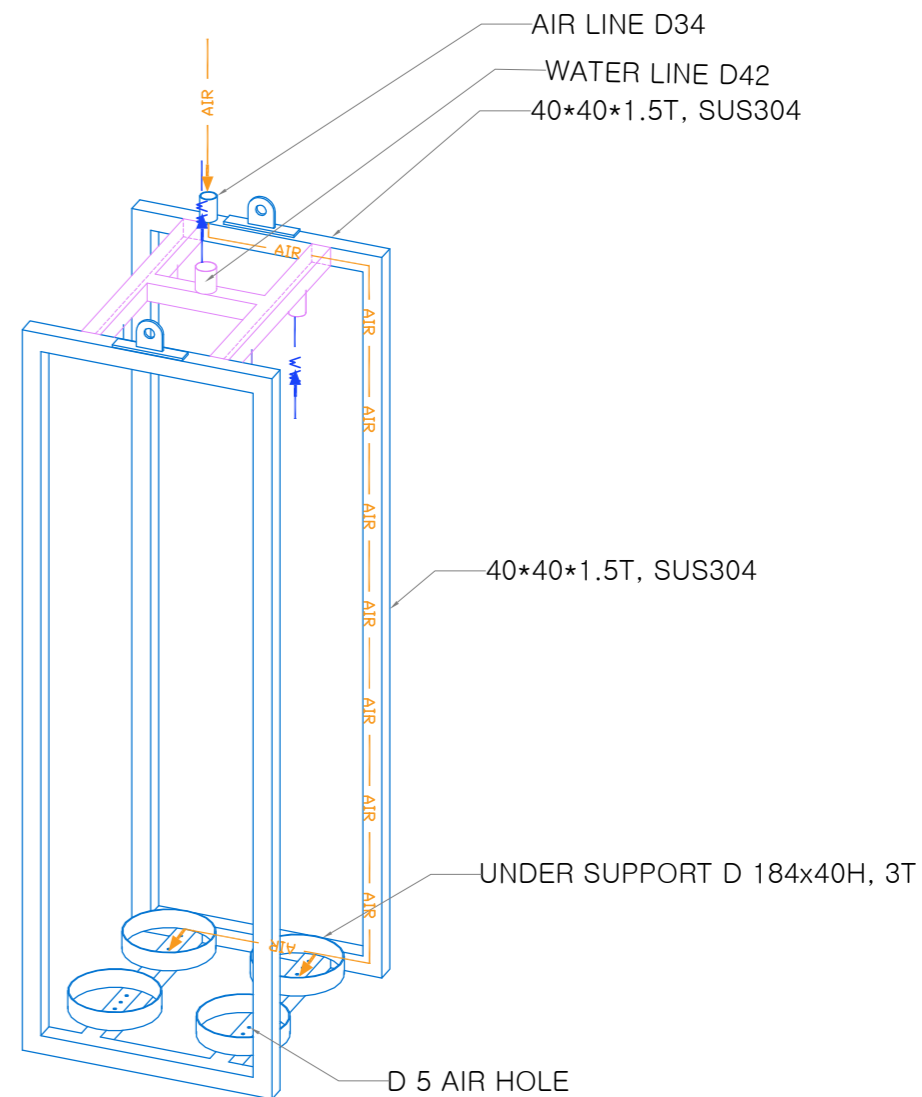
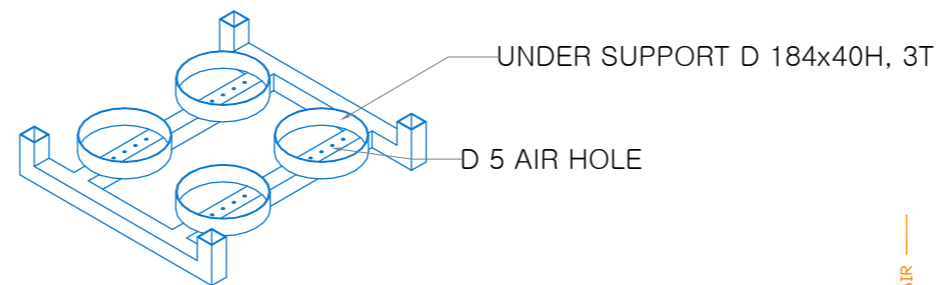
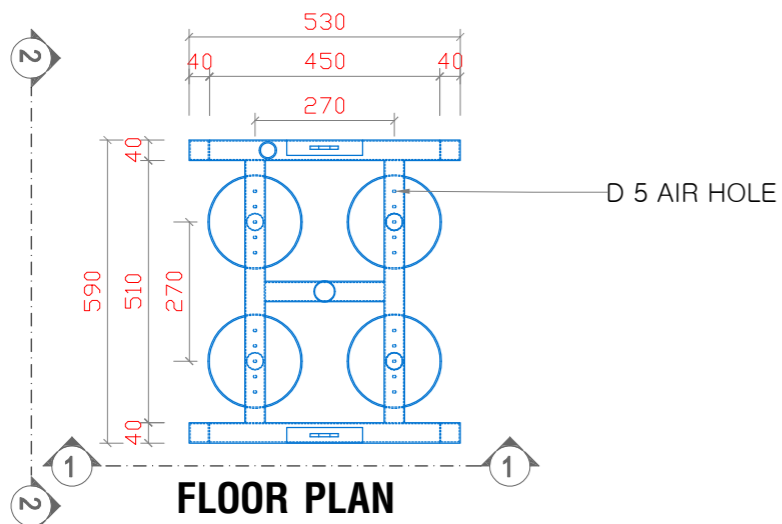
**SECTION 2-2**

REV.	DATE	DESCRIPTION	DWN	CKD	RVD	PM

PROJECT NAME	
CLIENT	
<b>DEERFOS MEMBRANES</b>	
TITLE	DETAIL OF DFX-820 * 2F
SCALE	N/S
REV.	



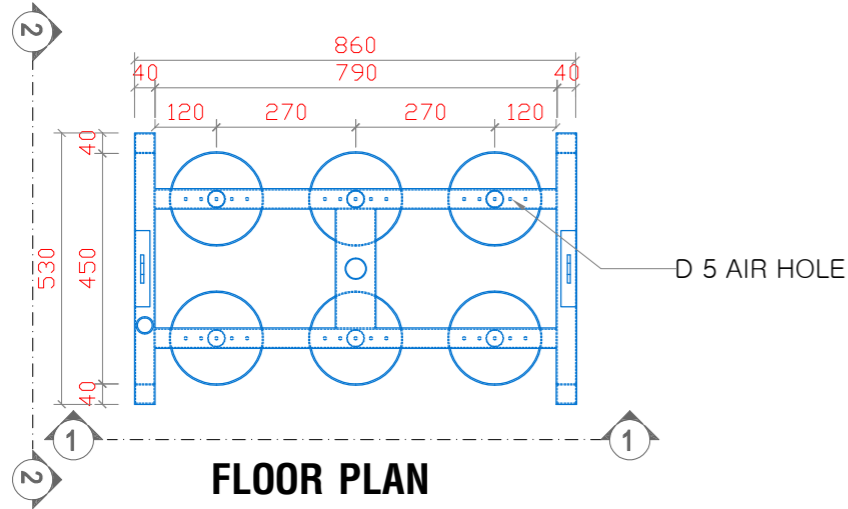
# DETAIL OF DFX-820\*4F



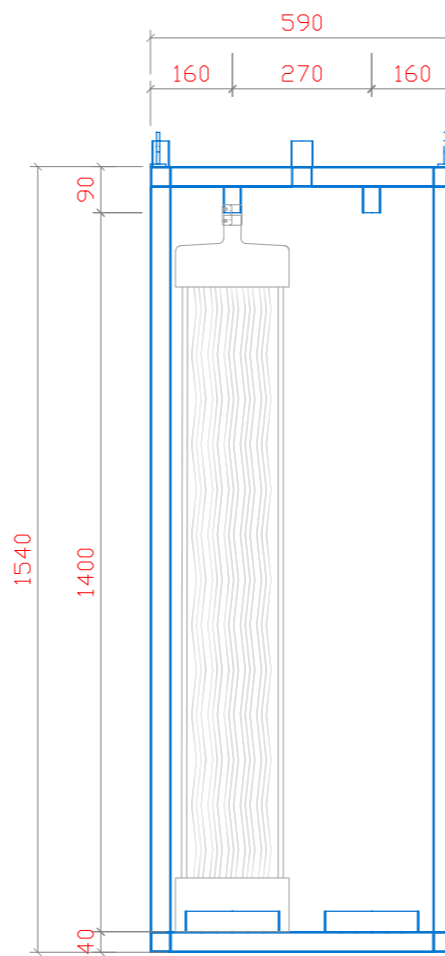
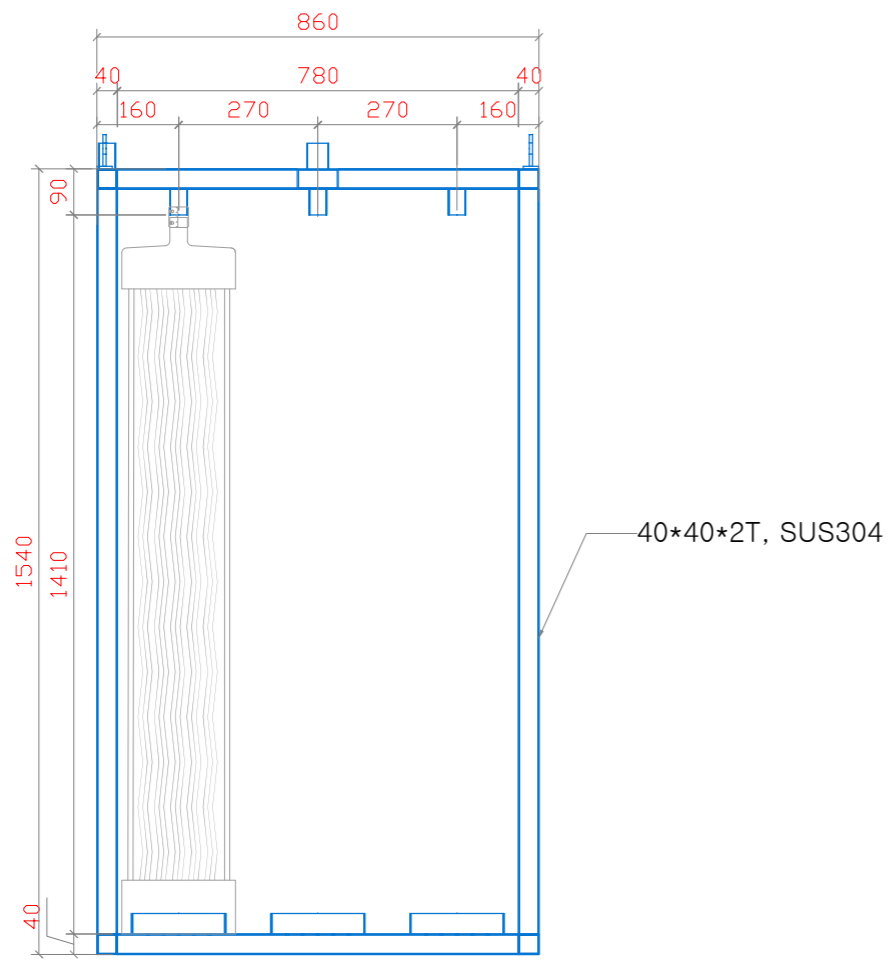
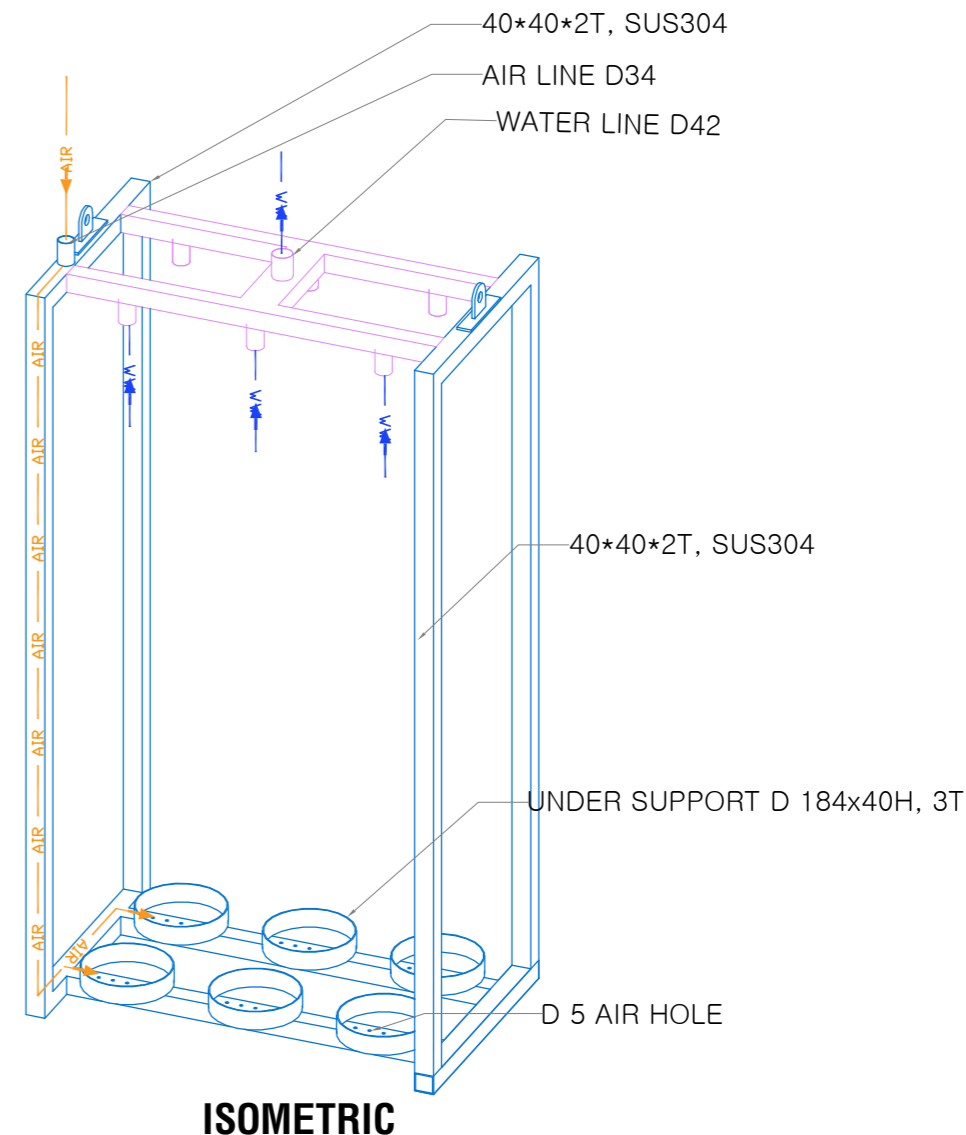
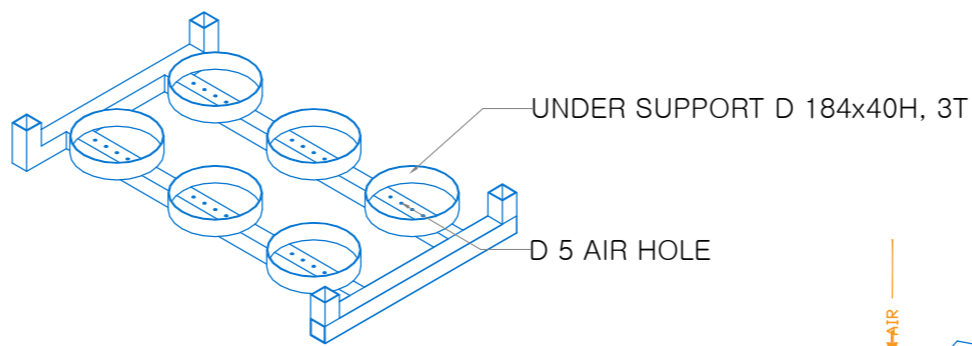
PROJECT NAME	
CLIENT	
<b>DEERFOS MEMBRANES</b>	
TITLE	DETAIL OF DFX-820 * 4F
SCALE	N/S
REV. DATE	REV. DATE

REV.	DATE	DESCRIPTION	DWN	CKD	RVD	PM





**DETAIL OF DFX-820\*6F**

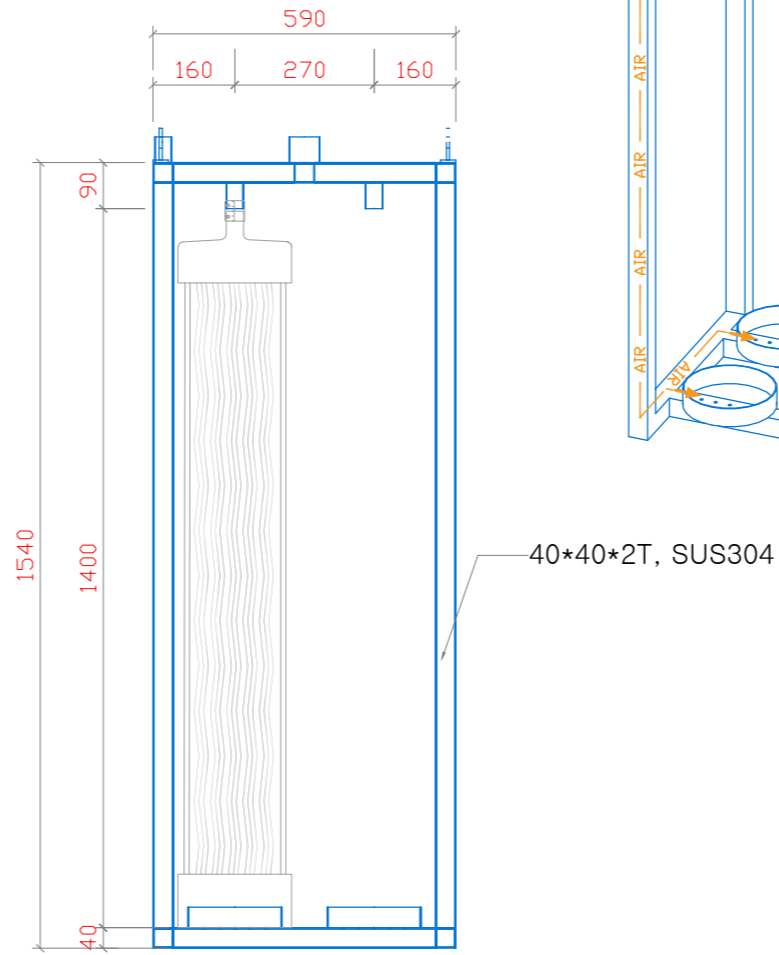
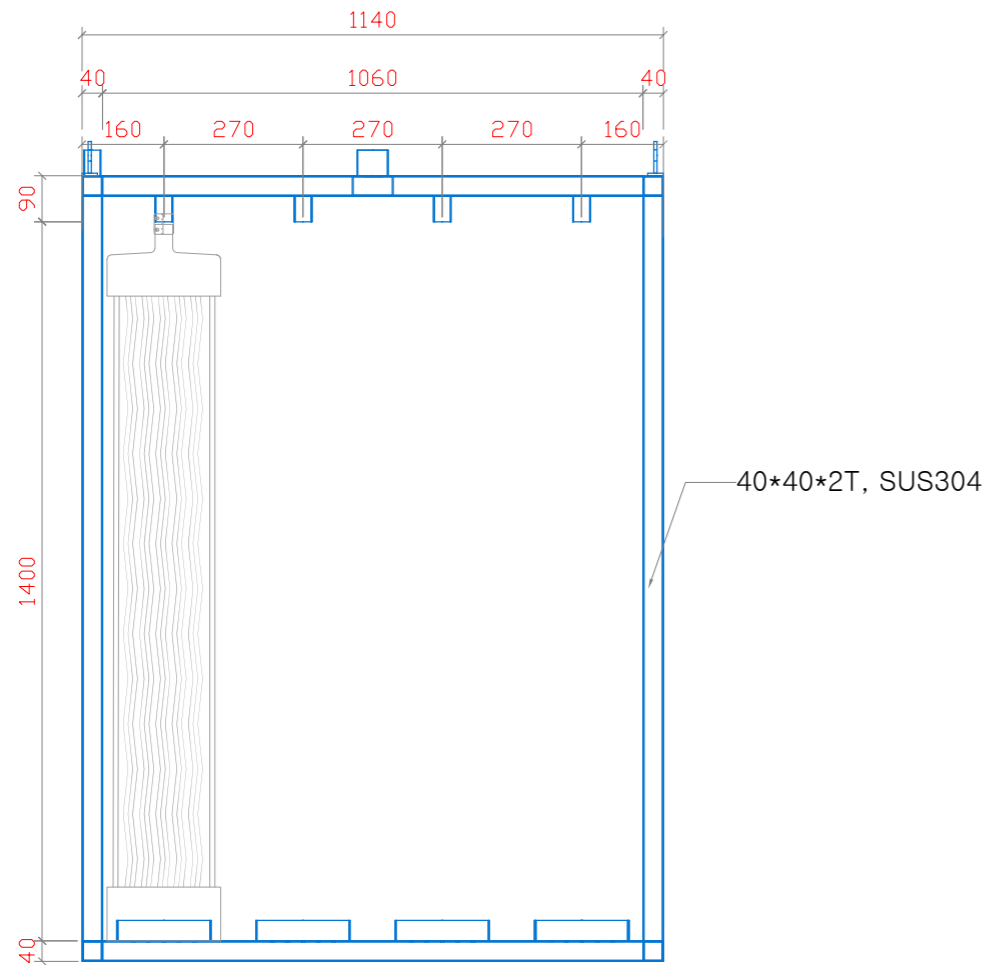
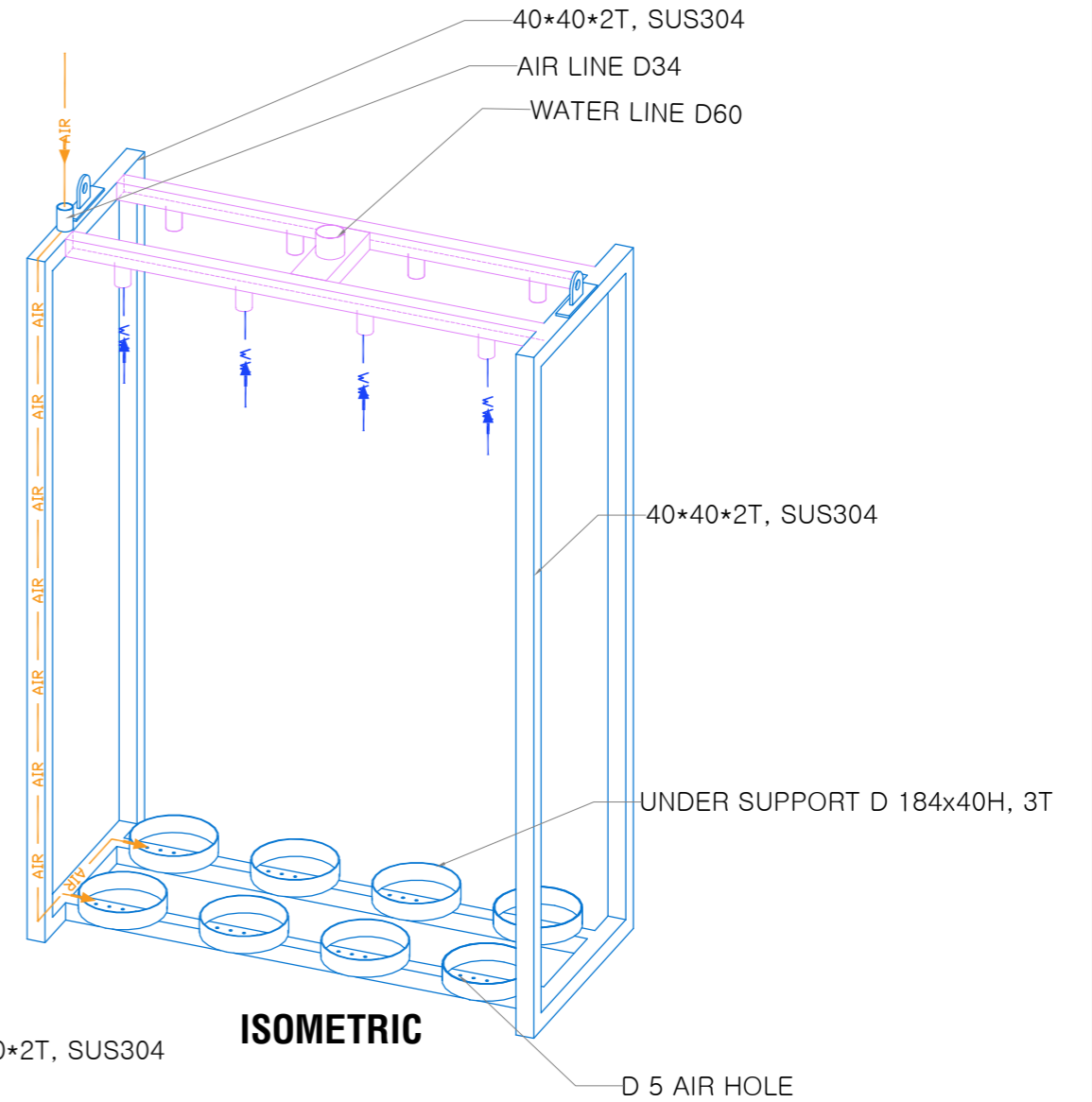
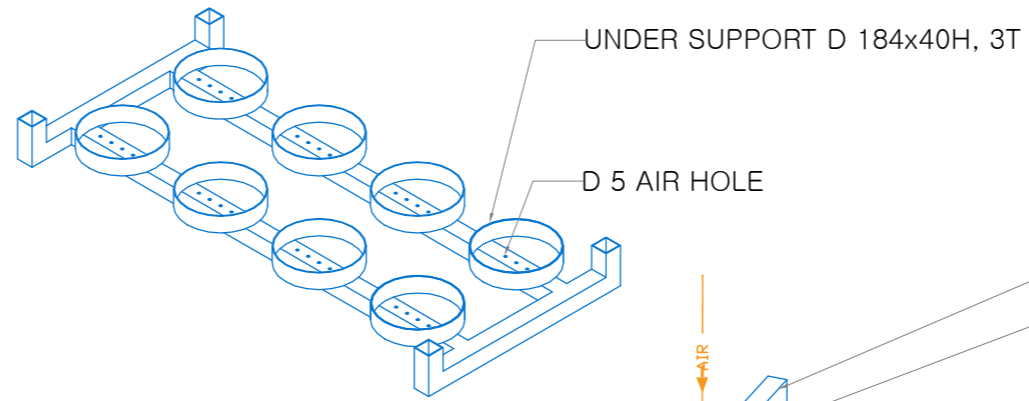
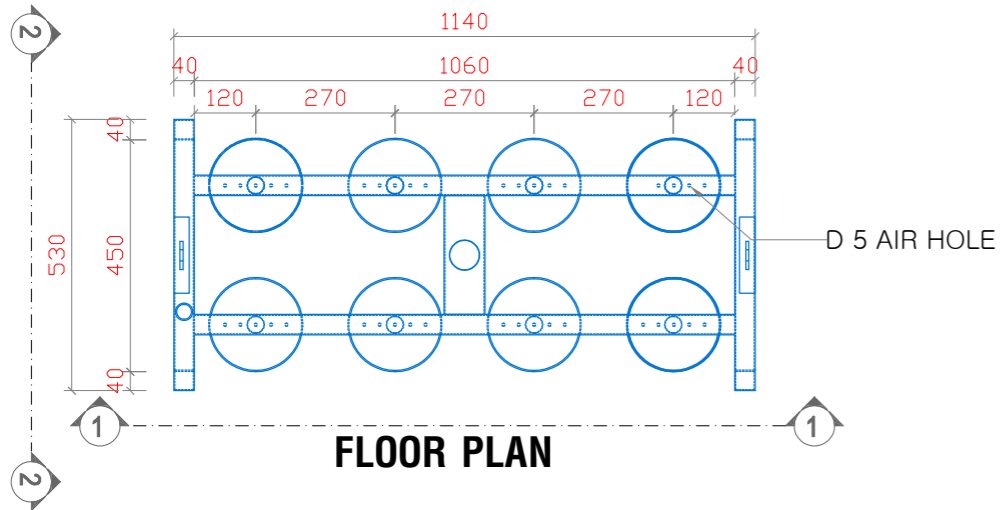


PROJECT NAME	
CLIENT	
<b>DEERFOS MEMBRANES</b>	
TITLE	<b>DETAIL OF DFX-820 * 6F</b>
SCALE	N/S
REV. DATE	
DESCRIPTION	
DWN	
CKD	
RVD	
PM	

REV.	DATE	DESCRIPTION	DWN	CKD	RVD	PM



# DETAIL OF DFX-820\*8F

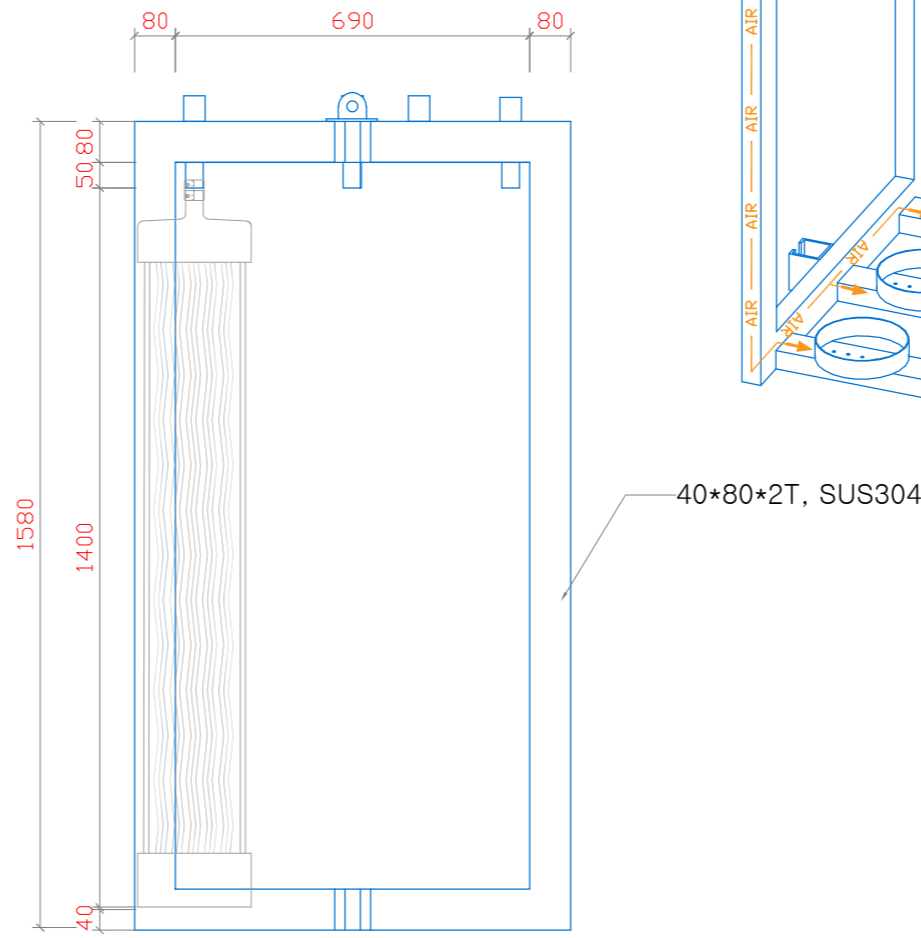
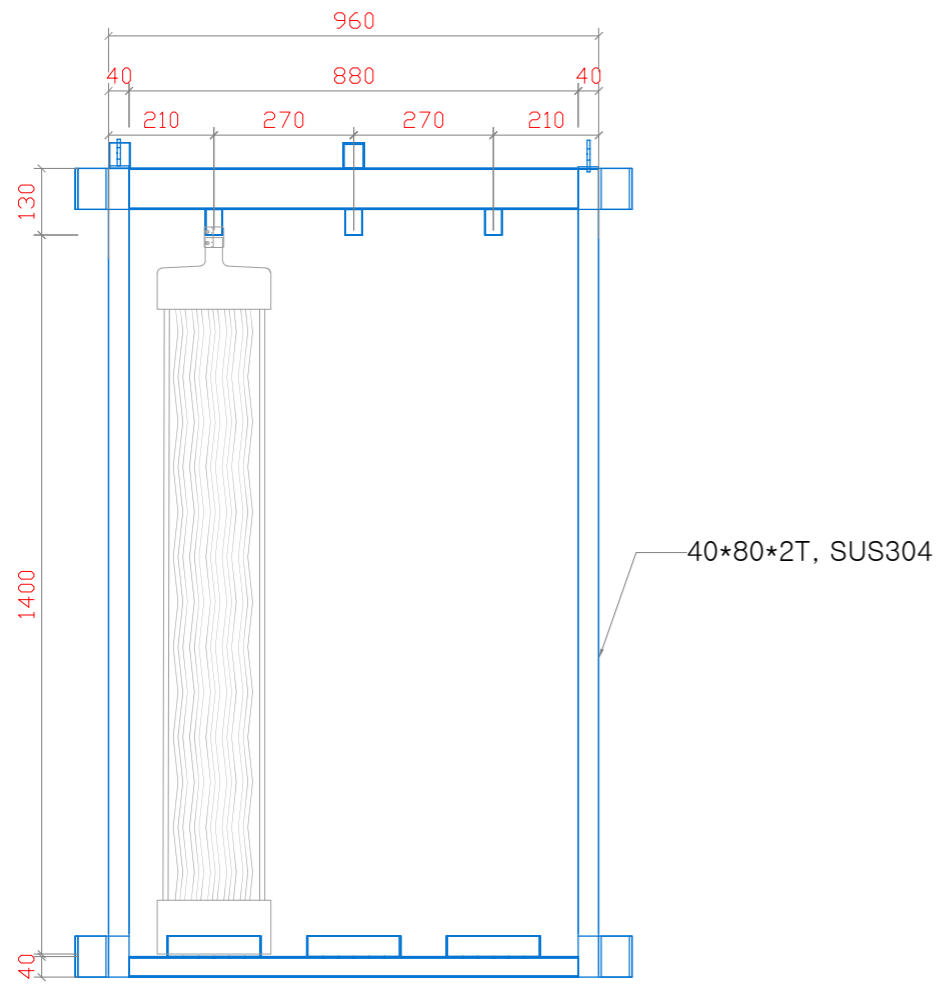
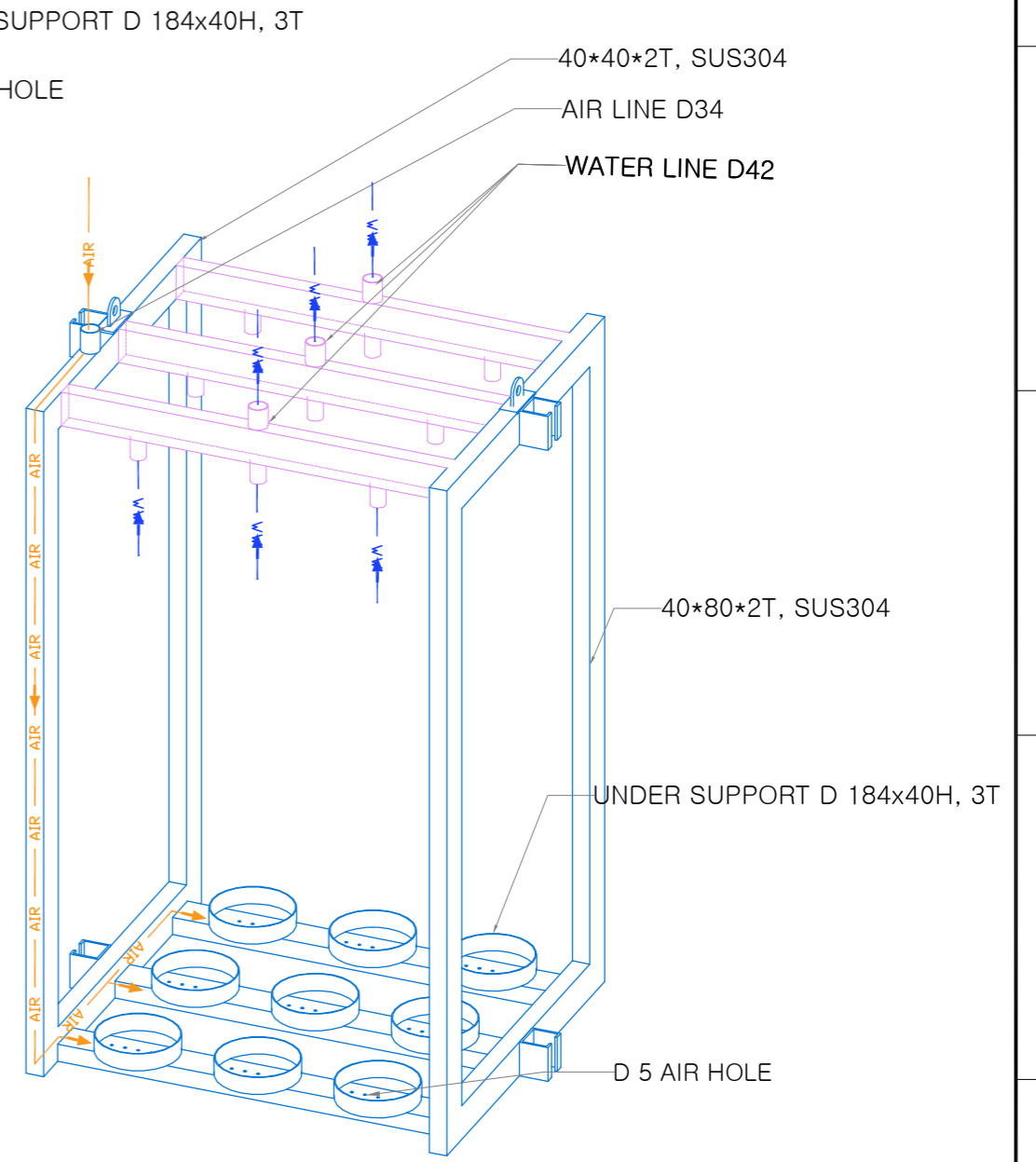
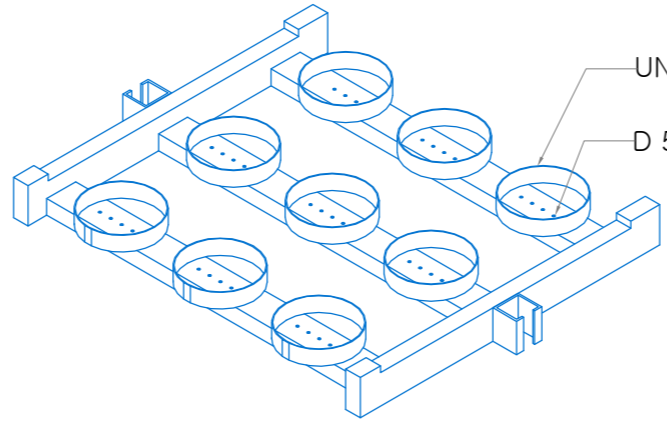
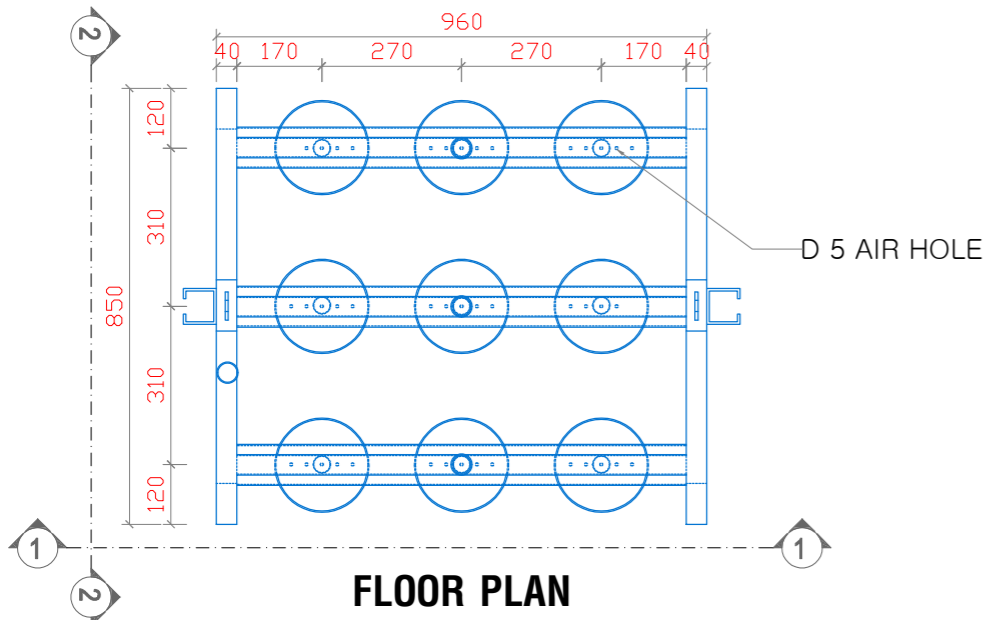


REV.	DATE	DESCRIPTION	DWN	CKD	RVD	PM

PROJECT NAME	
CLIENT	
<b>DEERFOS MEMBRANES</b>	
TITLE	DETAIL OF DFX-820 * 8F
SCALE	N/S
REV.	



# DETAIL OF DFX-820\*9F

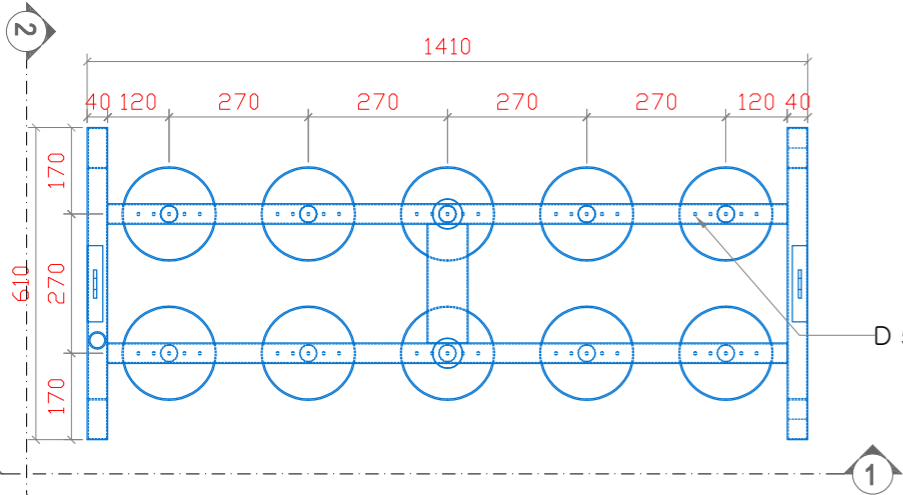


PROJECT NAME	
CLIENT	
<b>DEERFOS MEMBRANES</b>	
TITLE	DETAIL OF DFX-820 * 9F
SCALE	N/S
REV. DATE	
DESCRIPTION	
DWN	
CKD	
RVD	
PM	

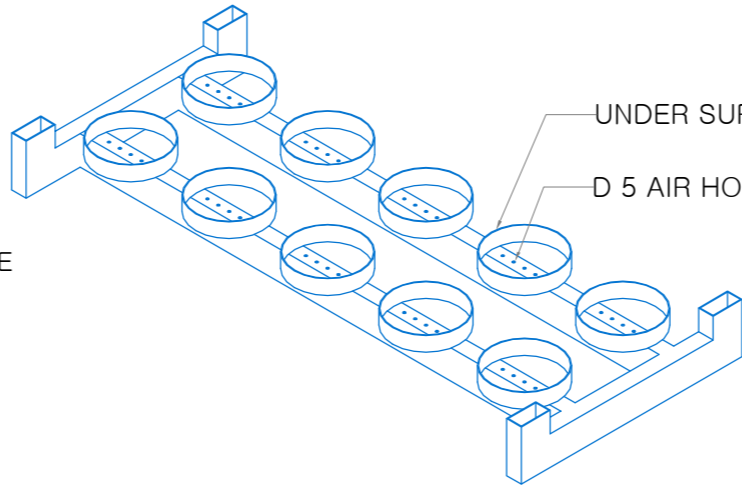
REV.	DATE	DESCRIPTION	DWN	CKD	RVD	PM



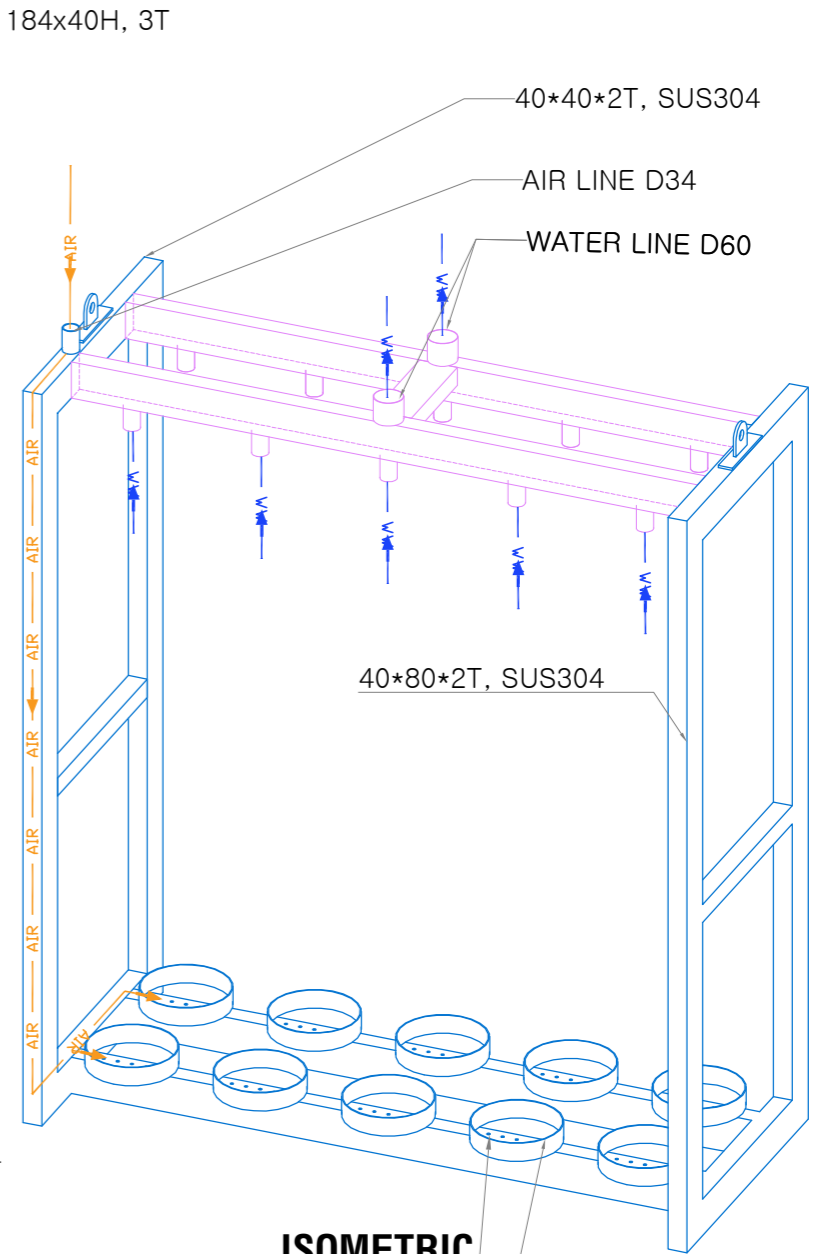
# DETAIL OF DFX-820\*10F



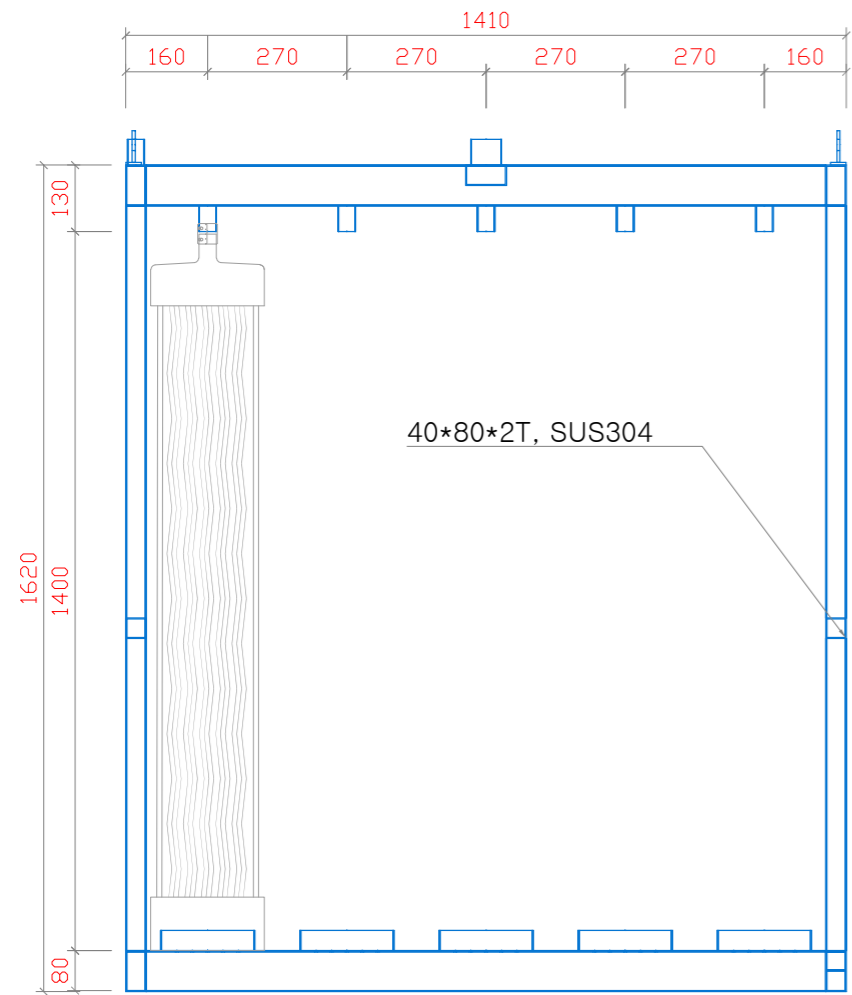
**FLOOR PLAN**



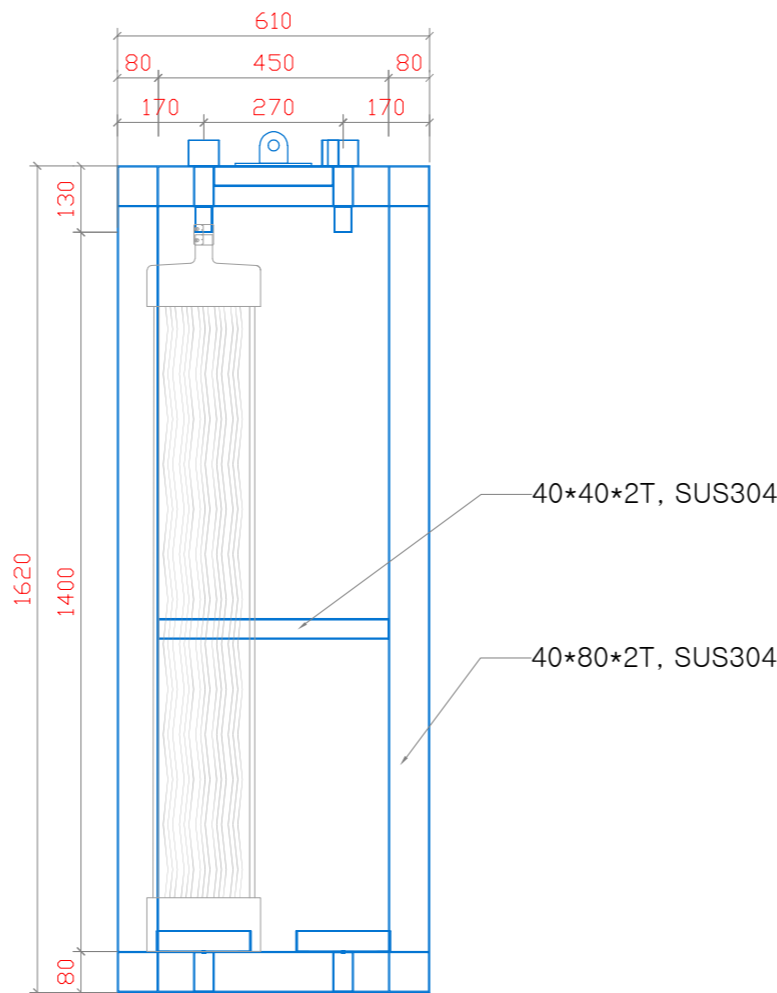
**AIR HOLE DETAIL**



**ISOMETRIC**



**SECTION 1-1**



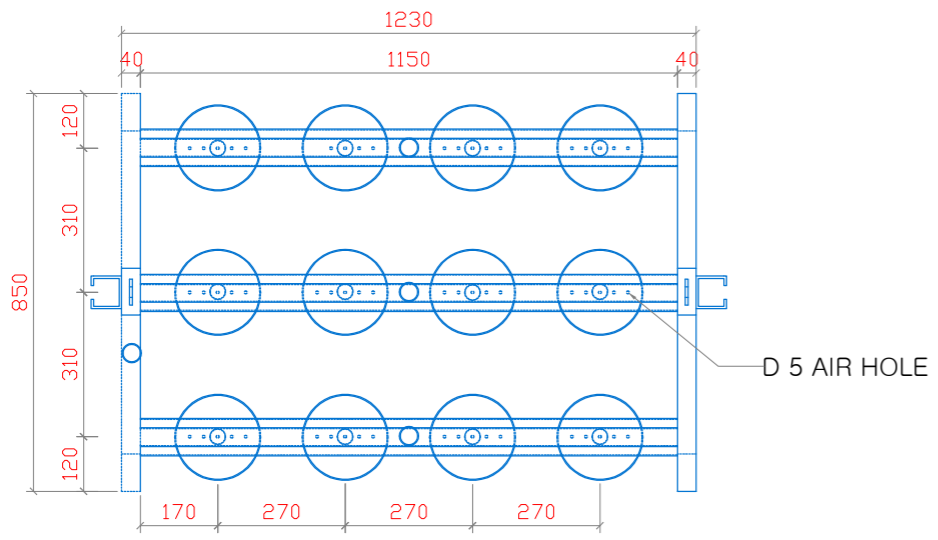
**SECTION 2-2**

REV.	DATE	DESCRIPTION	DWN	CKD	RVD	PM

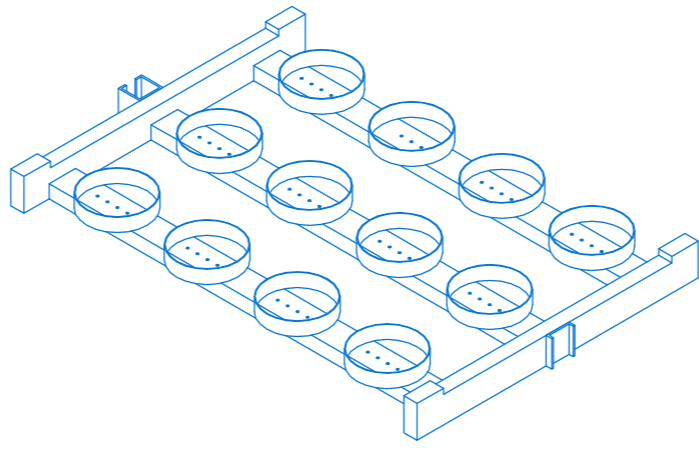
PROJECT NAME	
CLIENT	
<b>DEERFOS MEMBRANES</b>	
TITLE	DETAIL OF DFX-820 * 10F
SCALE	N/S
REV. A	



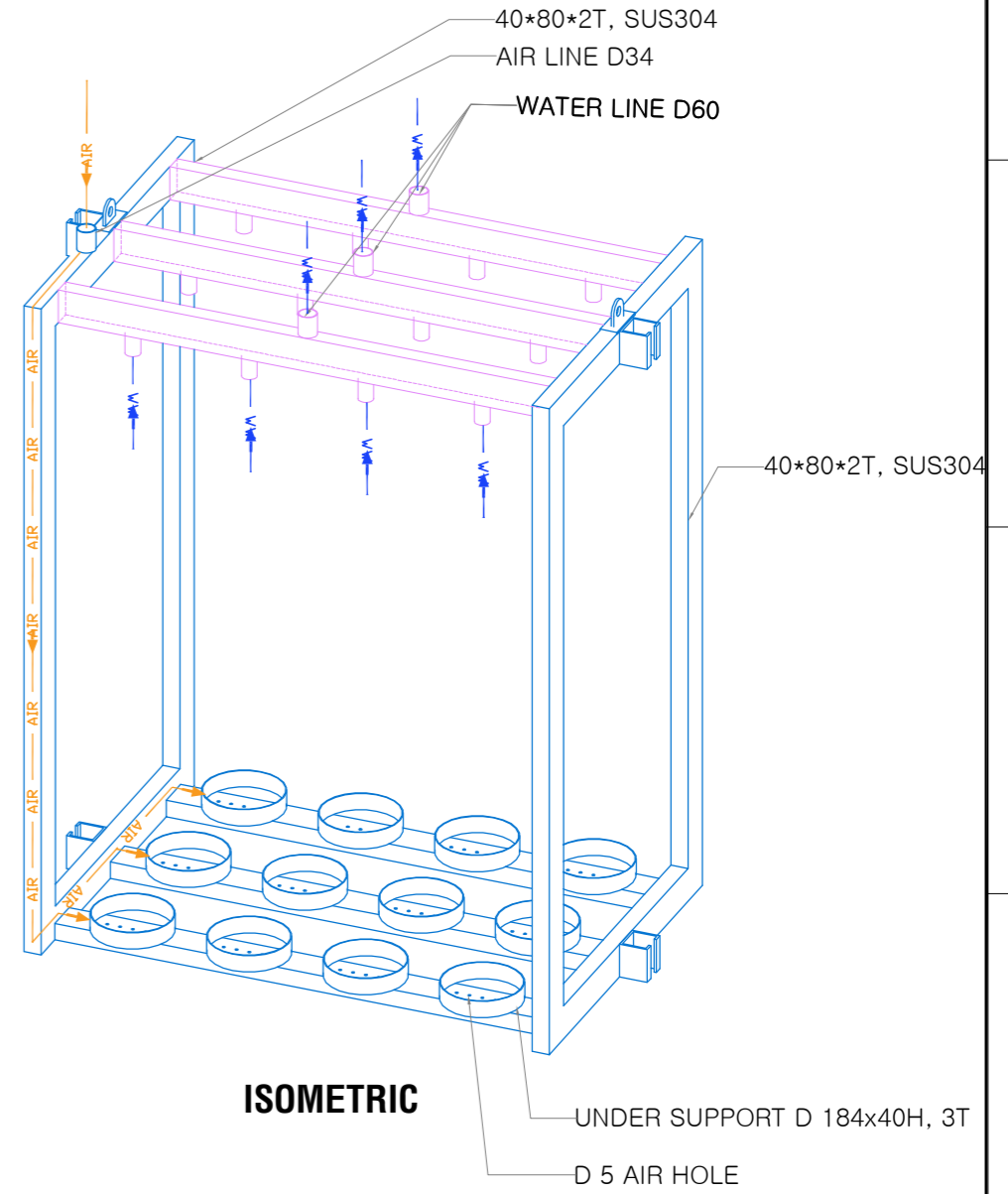
# DETAIL OF DFX-830\*12F



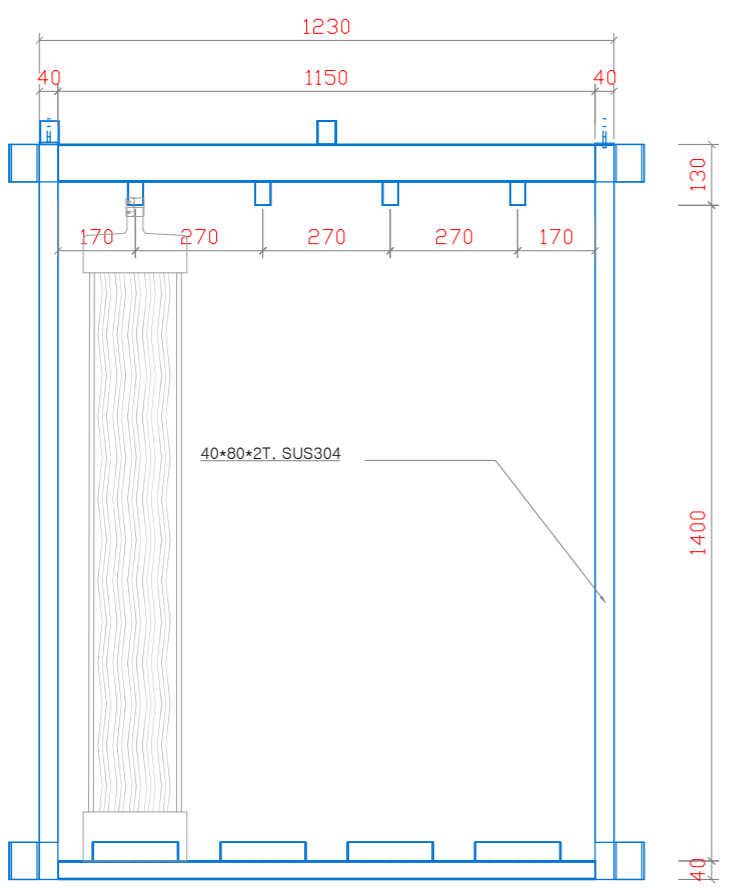
FLOOR PLAN



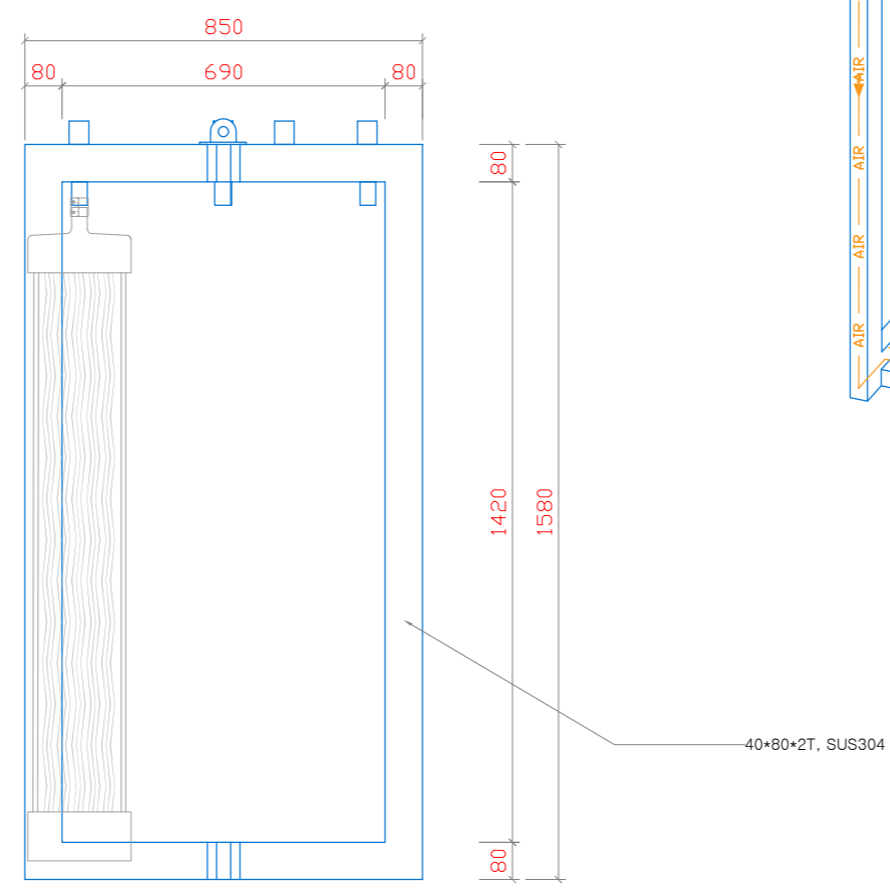
AIR HOLE DETAIL



ISOMETRIC



SECTION 1-1



SECTION 2-2

REV.	DATE	DESCRIPTION	DWN	CKD	RVD	PM

PROJECT NAME	
CLIENT	
<b>DEERFOS MEMBRANES</b>	
TITLE	DETAIL OF DFX-830 * 12F
SCALE	N/S
REV.	

