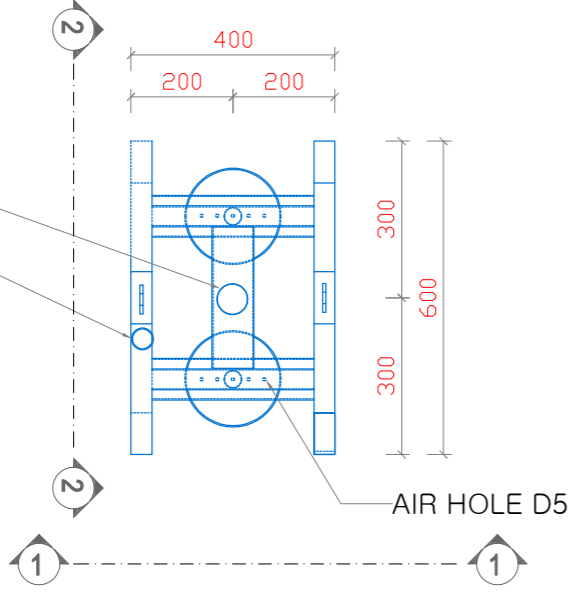
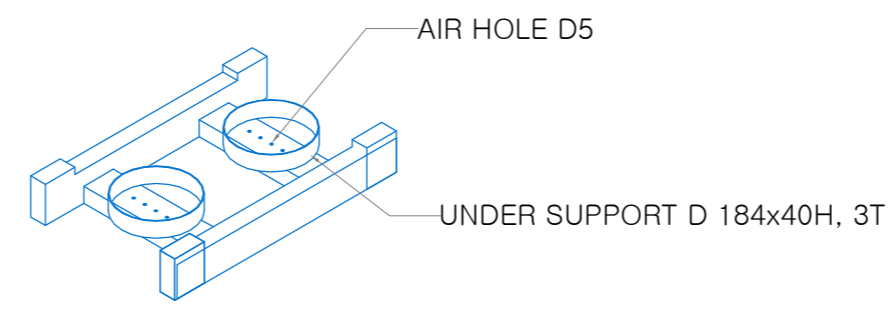


# DETAIL OF DFX-830\*2F

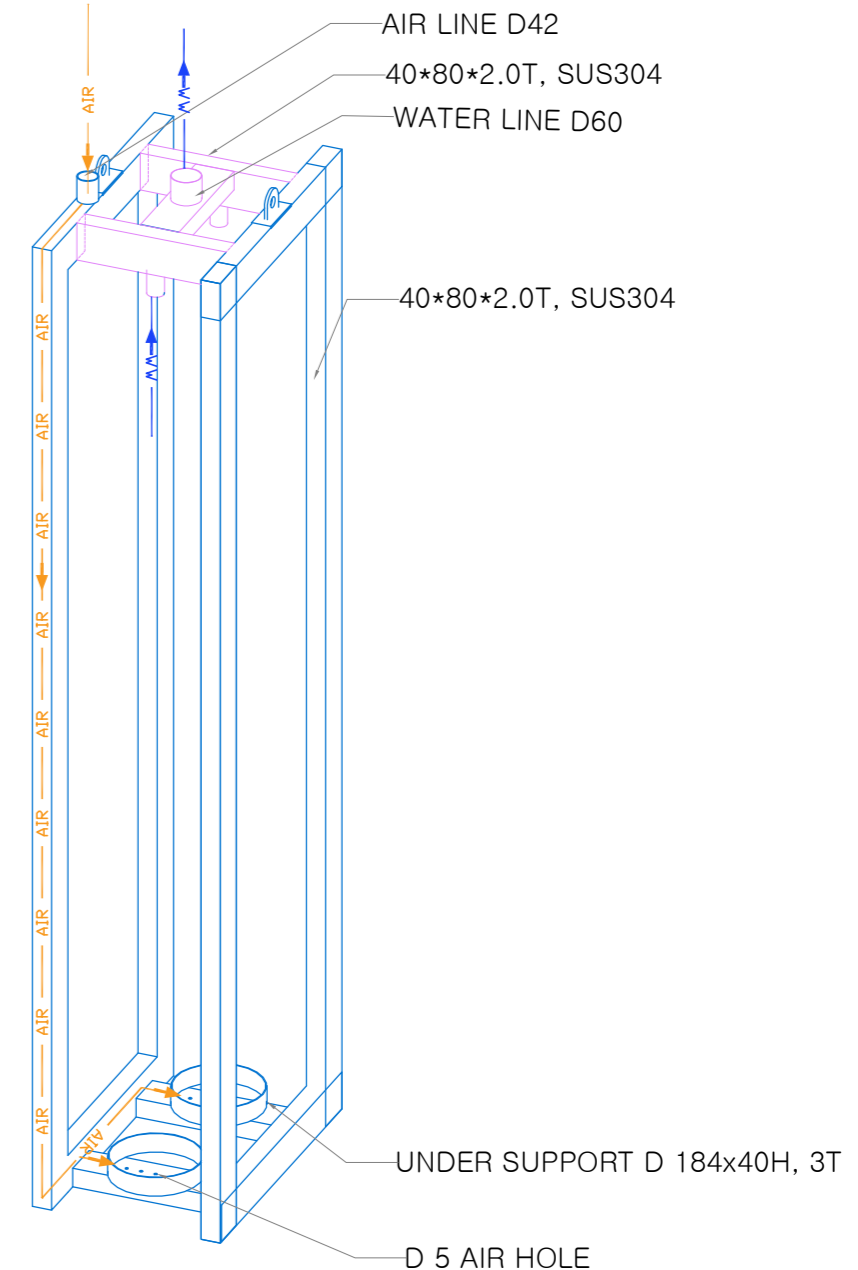
WATER LINE D60  
AIR LINE D42



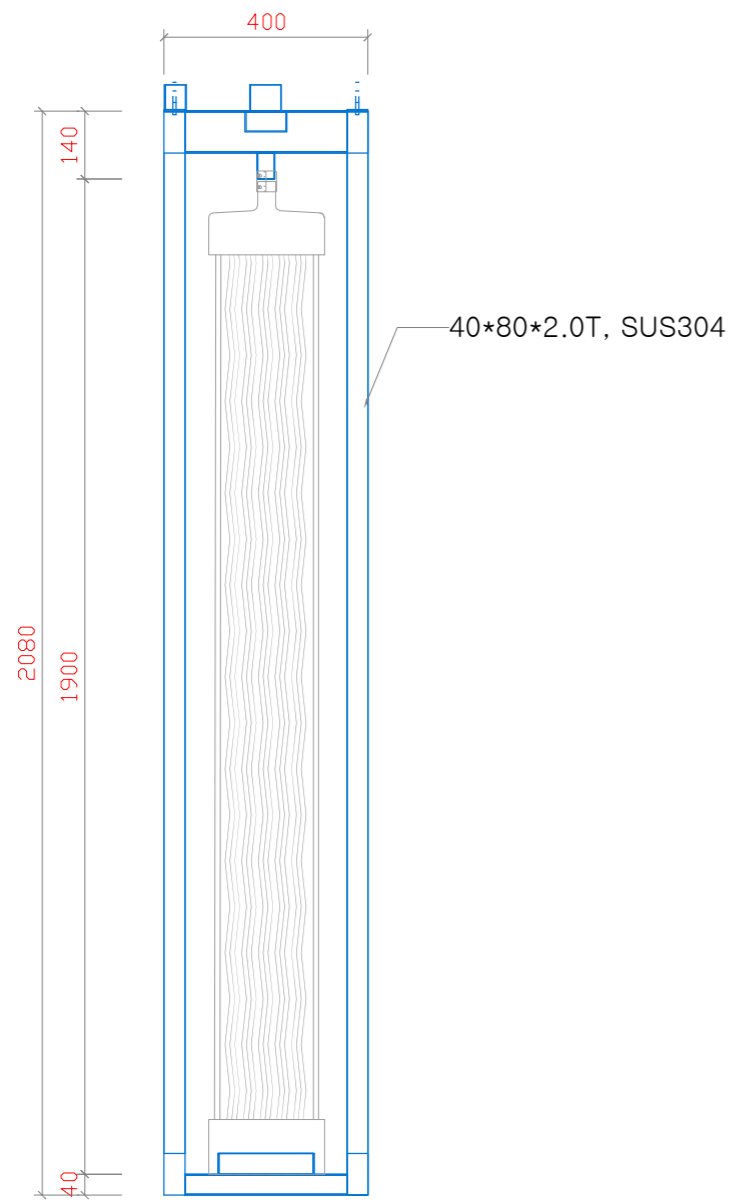
### FLOOR PLAN



### AIR HOLE DETAIL



### ISOMETRIC



### SECTION 1-1



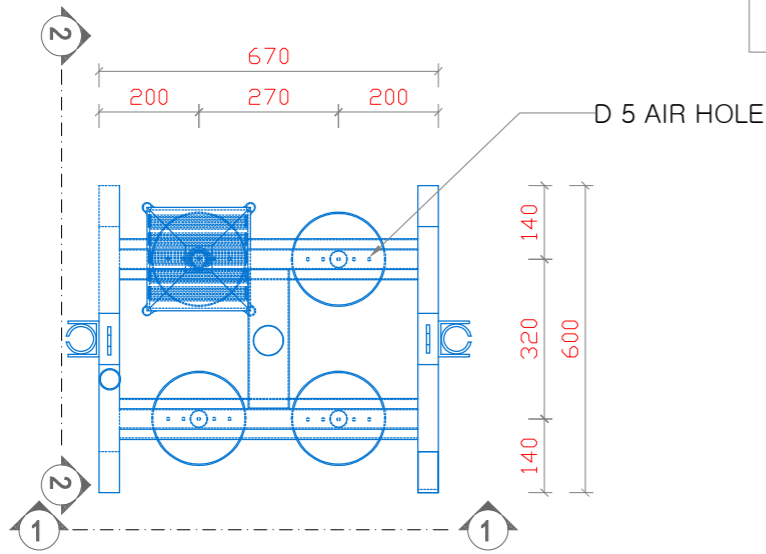
### SECTION 2-2

REV.	DATE	DESCRIPTION	DWN	CKD	RVD	PM

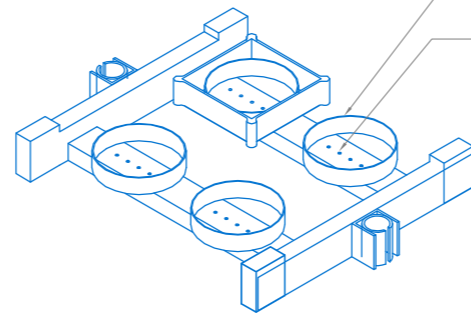
PROJECT NAME	
CLIENT	
<b>DEERFOS MEMBRANES</b>	
TITLE	DETAIL OF DFX-830 * 2F
SCALE	N/S
REV.	



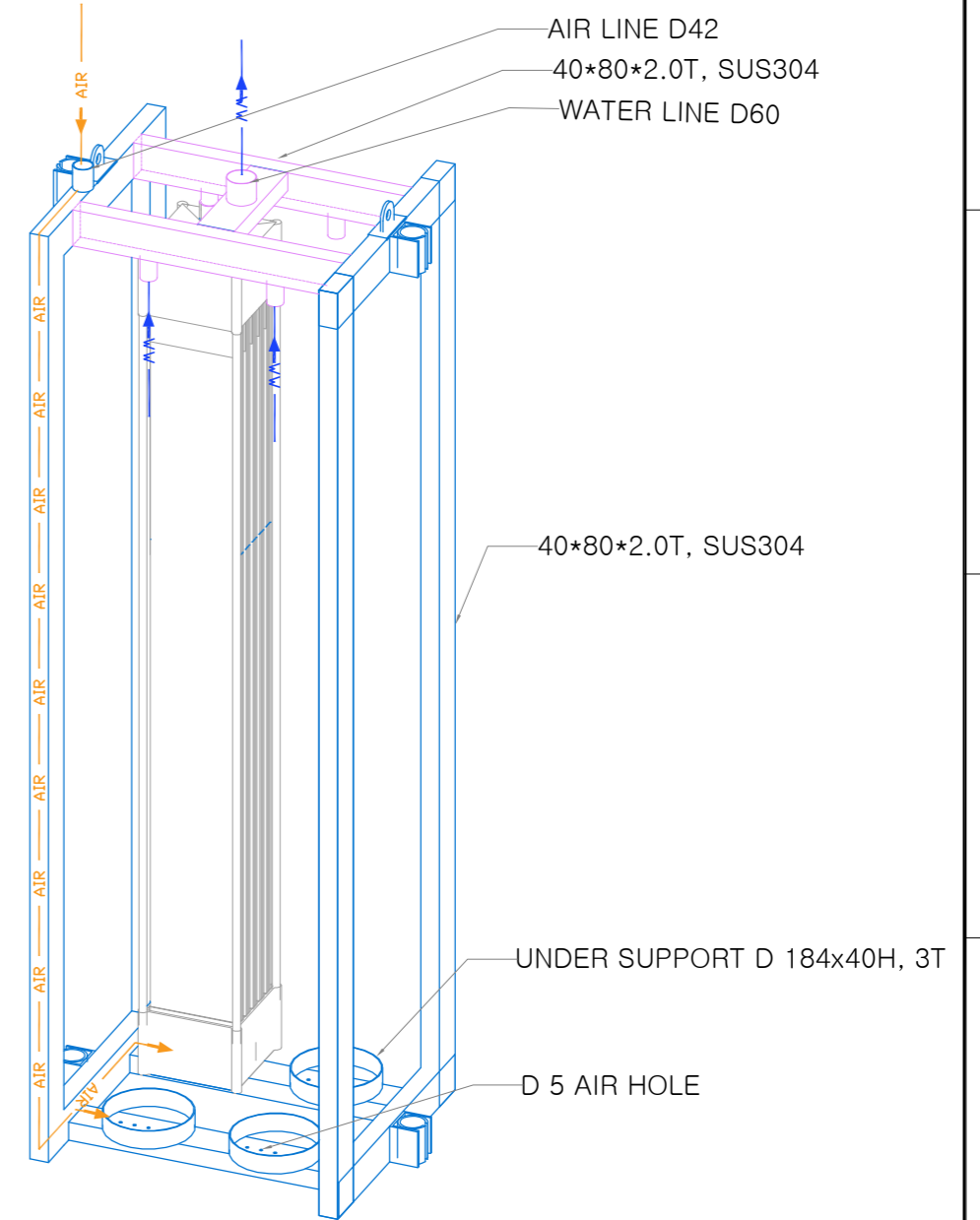
# DETAIL OF DFX-830\*4F



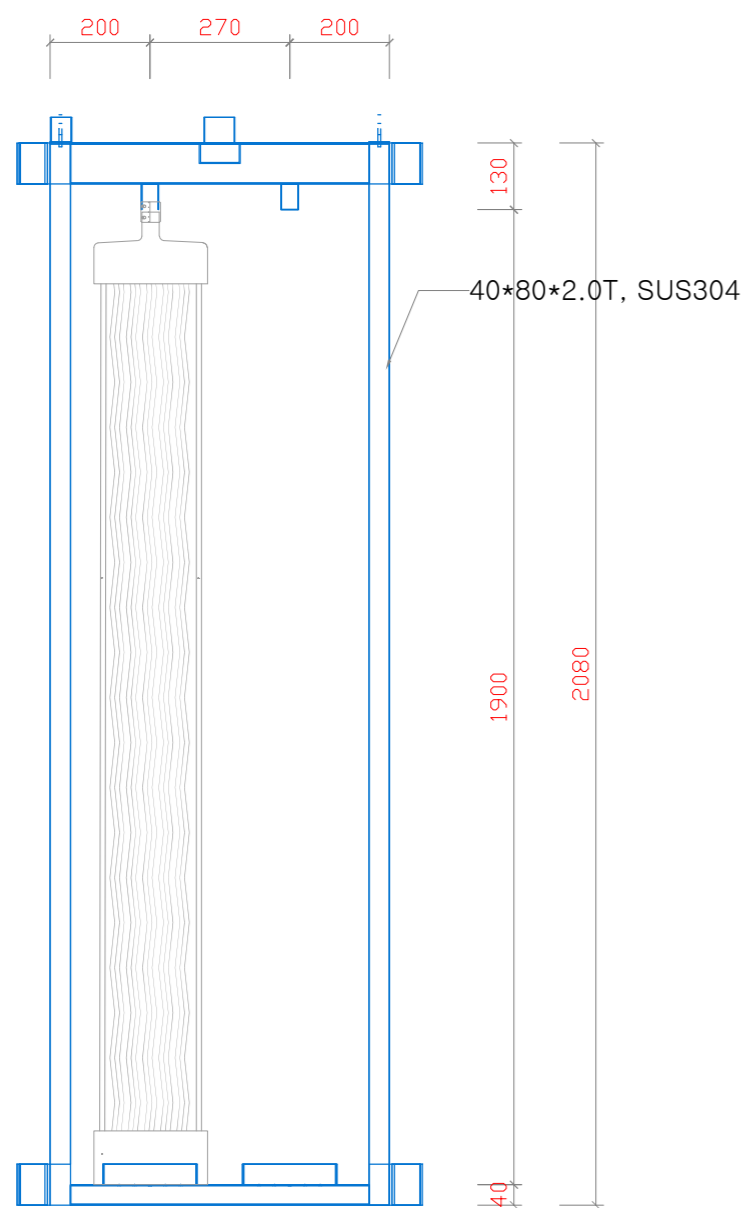
### FLOOR PLAN



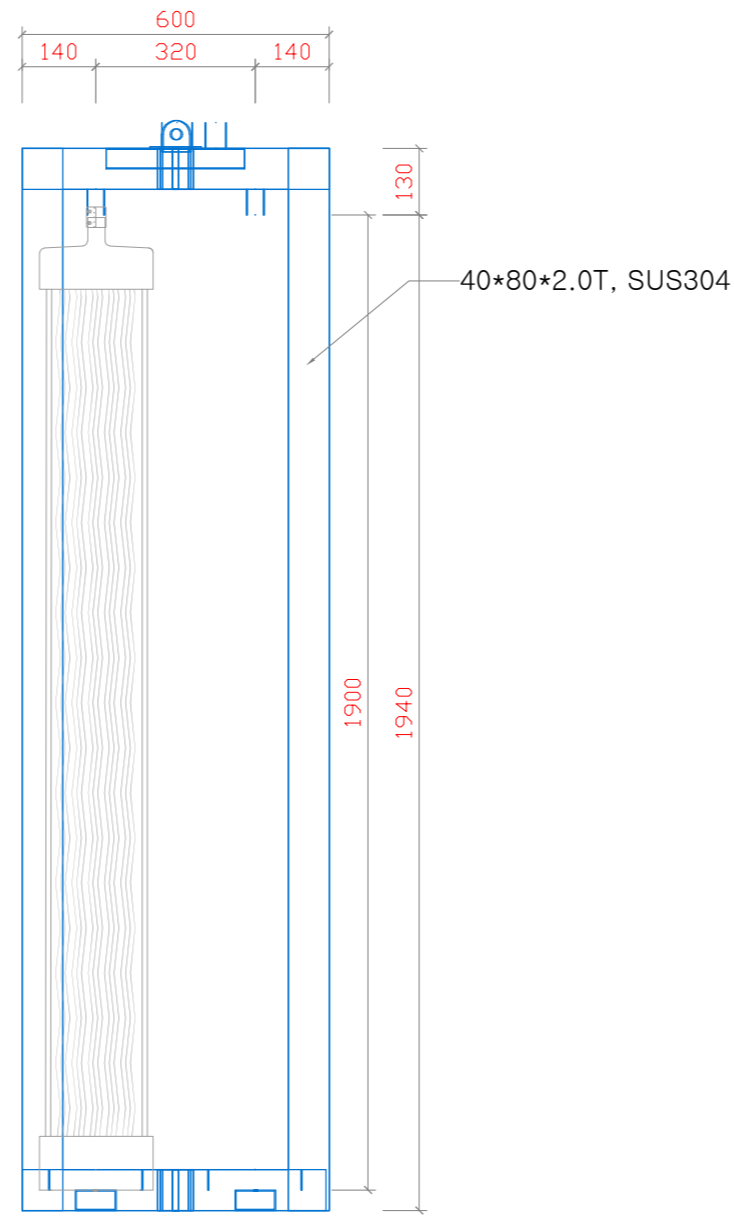
### AIR HOLE DETAIL



### ISOMETRIC



### SECTION 1-1



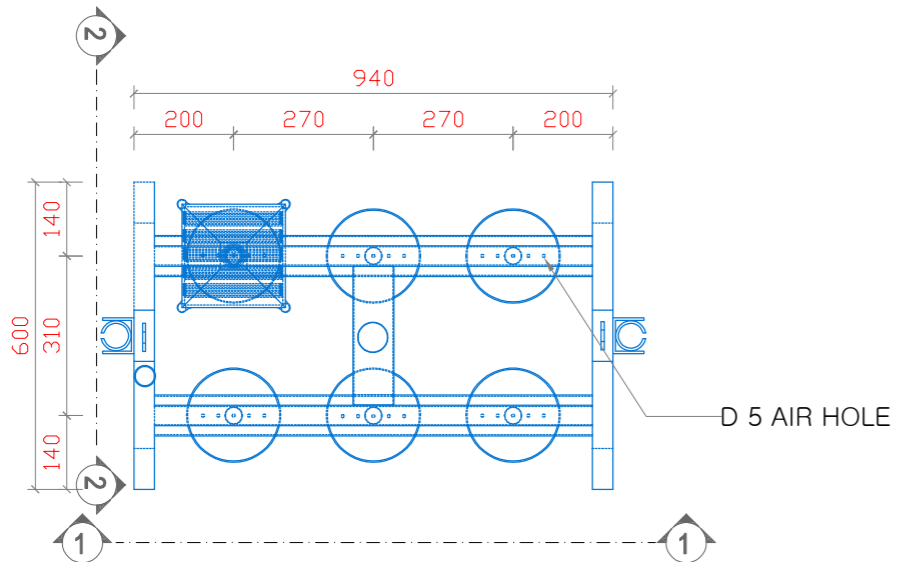
### SECTION 2-2

REV.	DATE	DESCRIPTION	DWN	CKD	RVD	PM

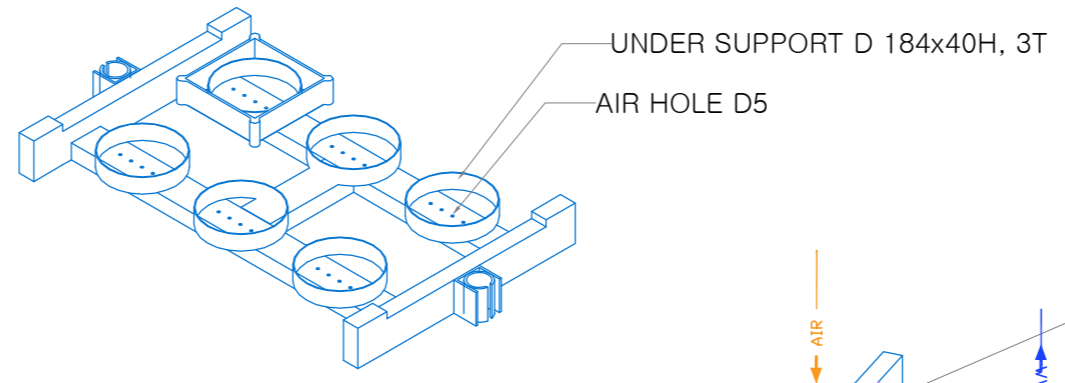
PROJECT NAME	
CLIENT	
<b>DEERFOS MEMBRANES</b>	
TITLE	DETAIL OF DFX-830 * 4F
SCALE	N/S
REV. A	



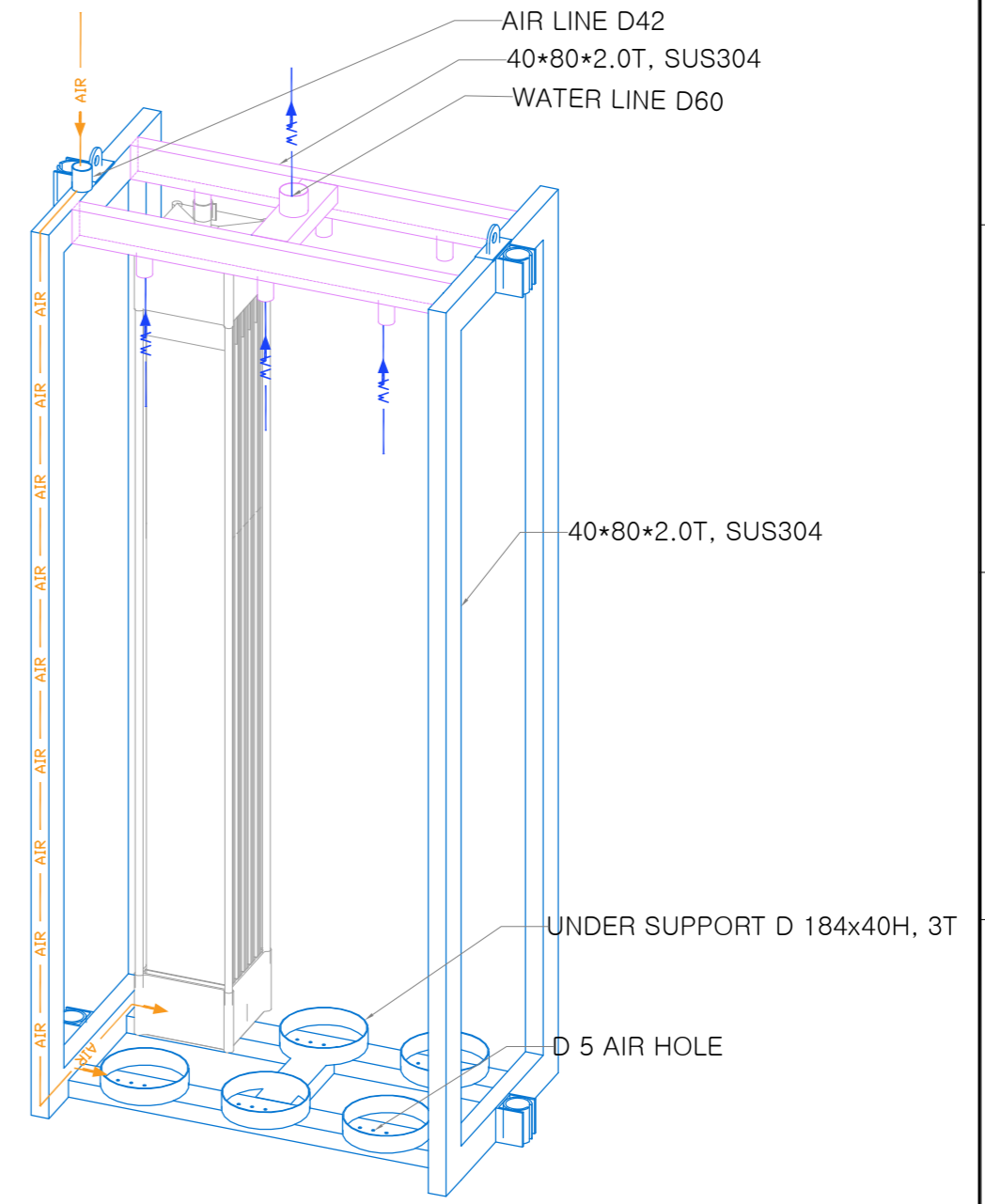
# DETAIL OF DFX-830\*6F



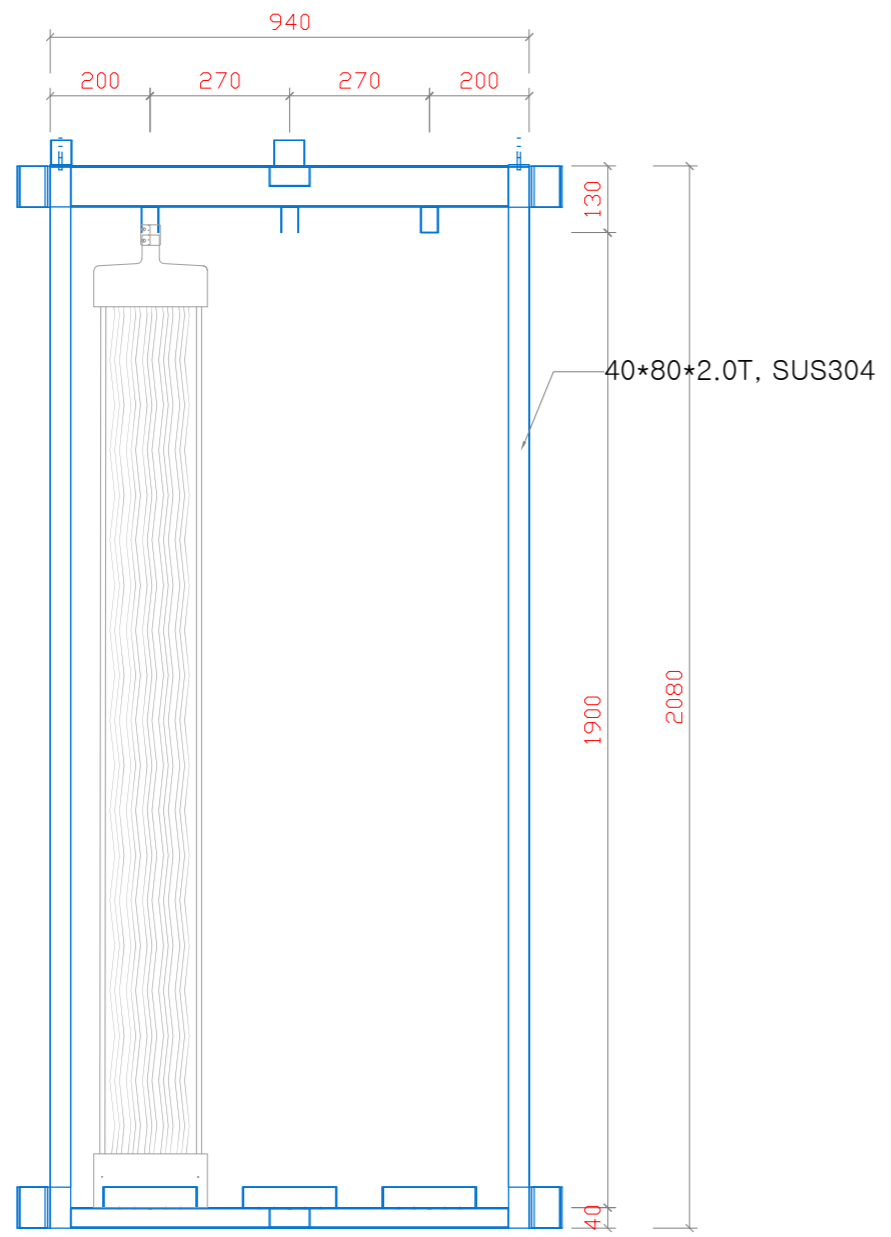
**FLOOR PLAN**



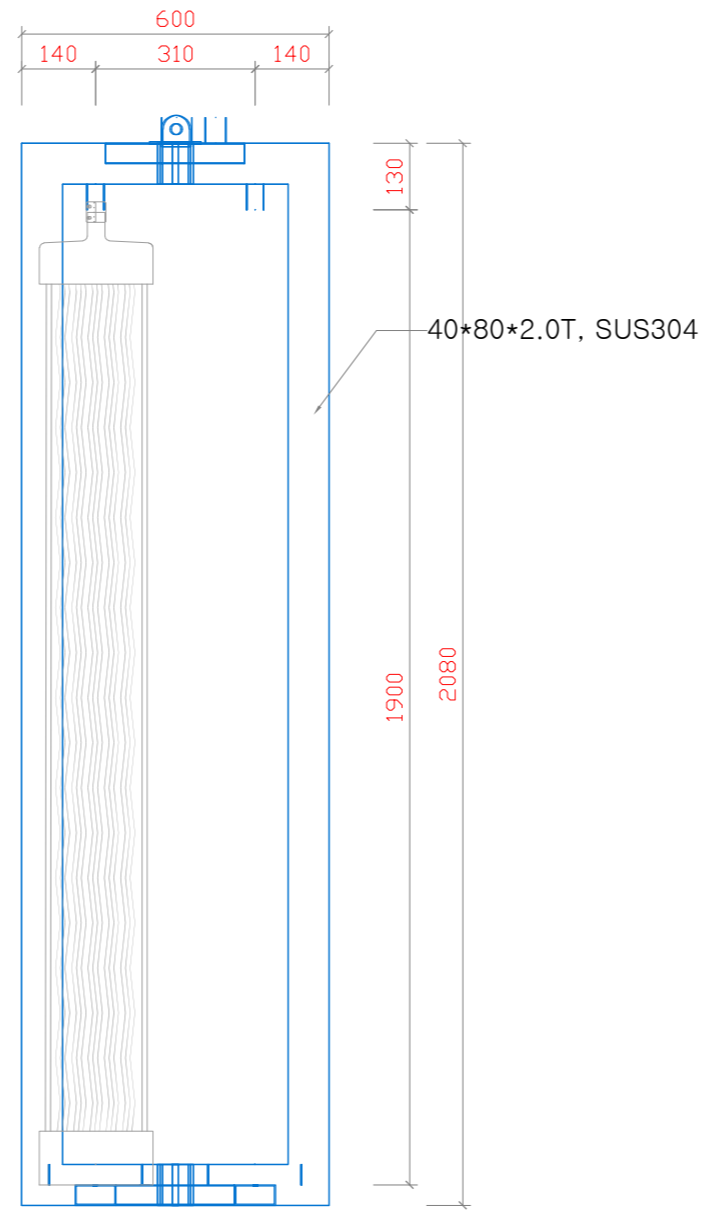
**AIR HOLE DETAIL**



**ISOMETRIC**



**SECTION 1-1**



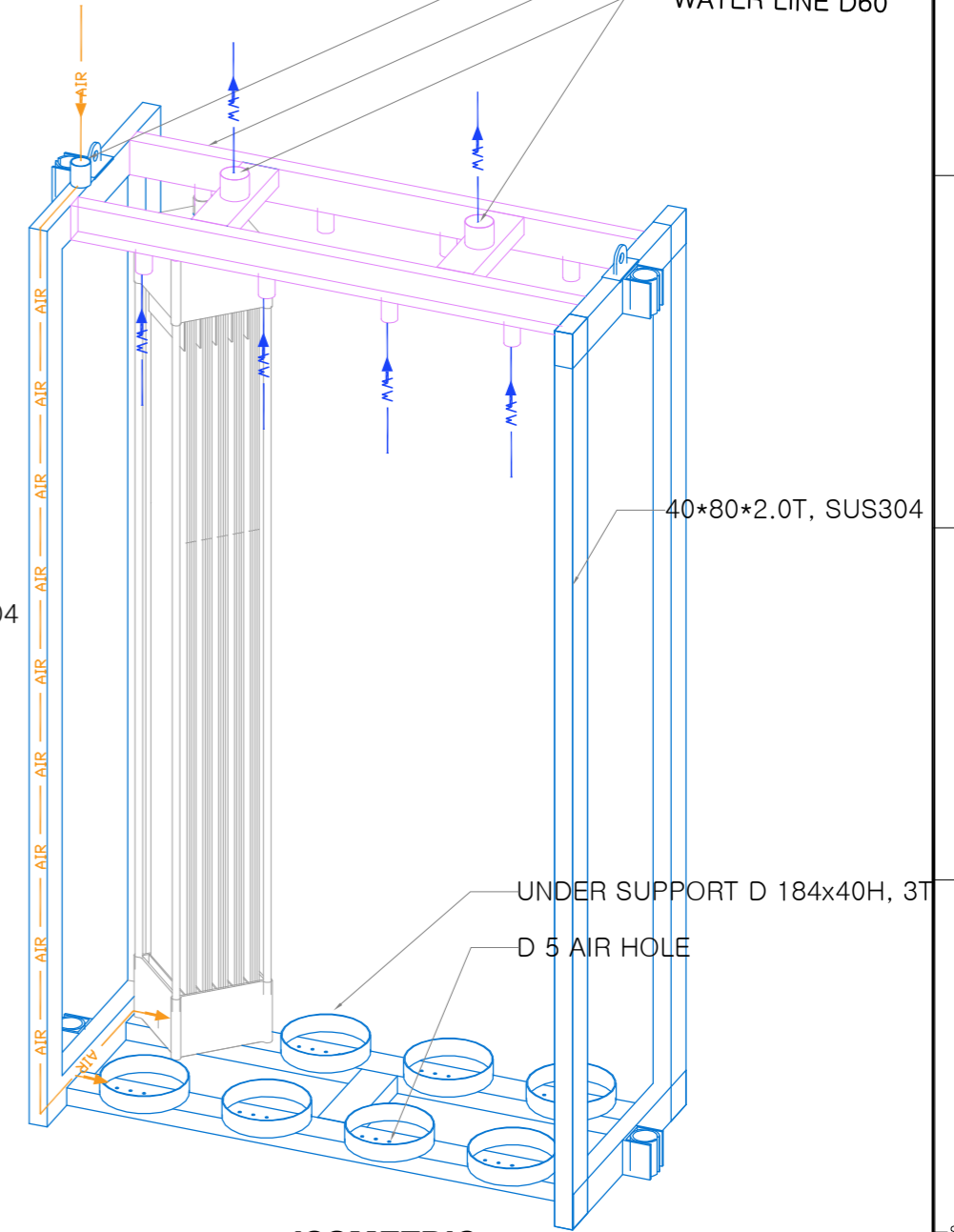
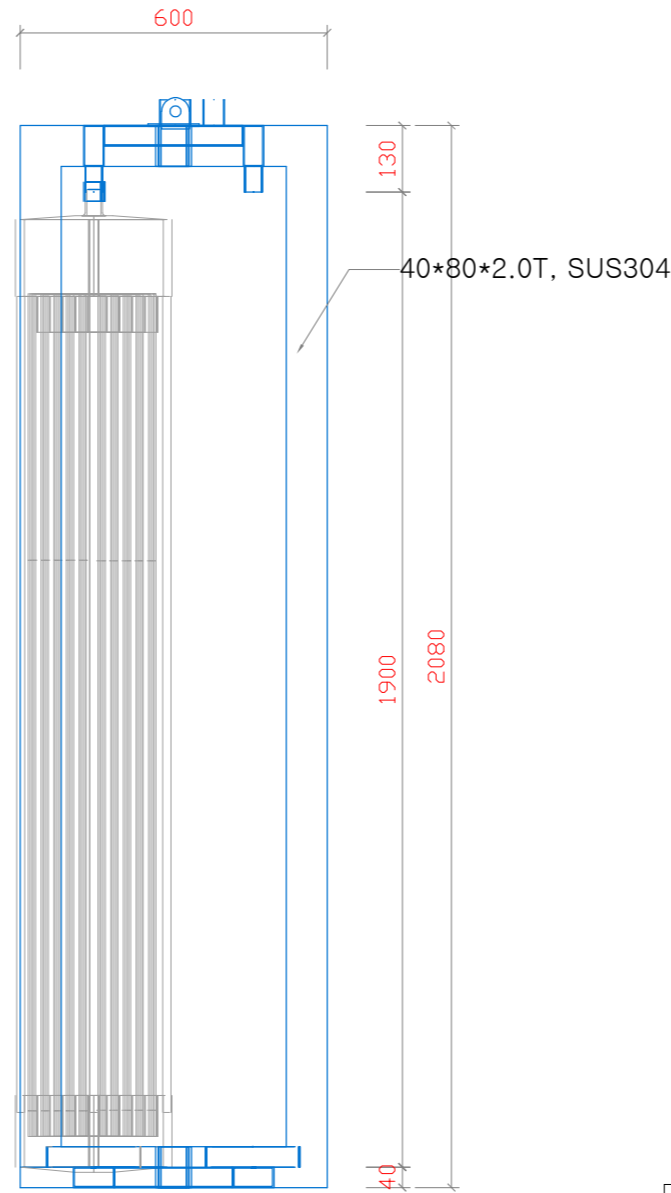
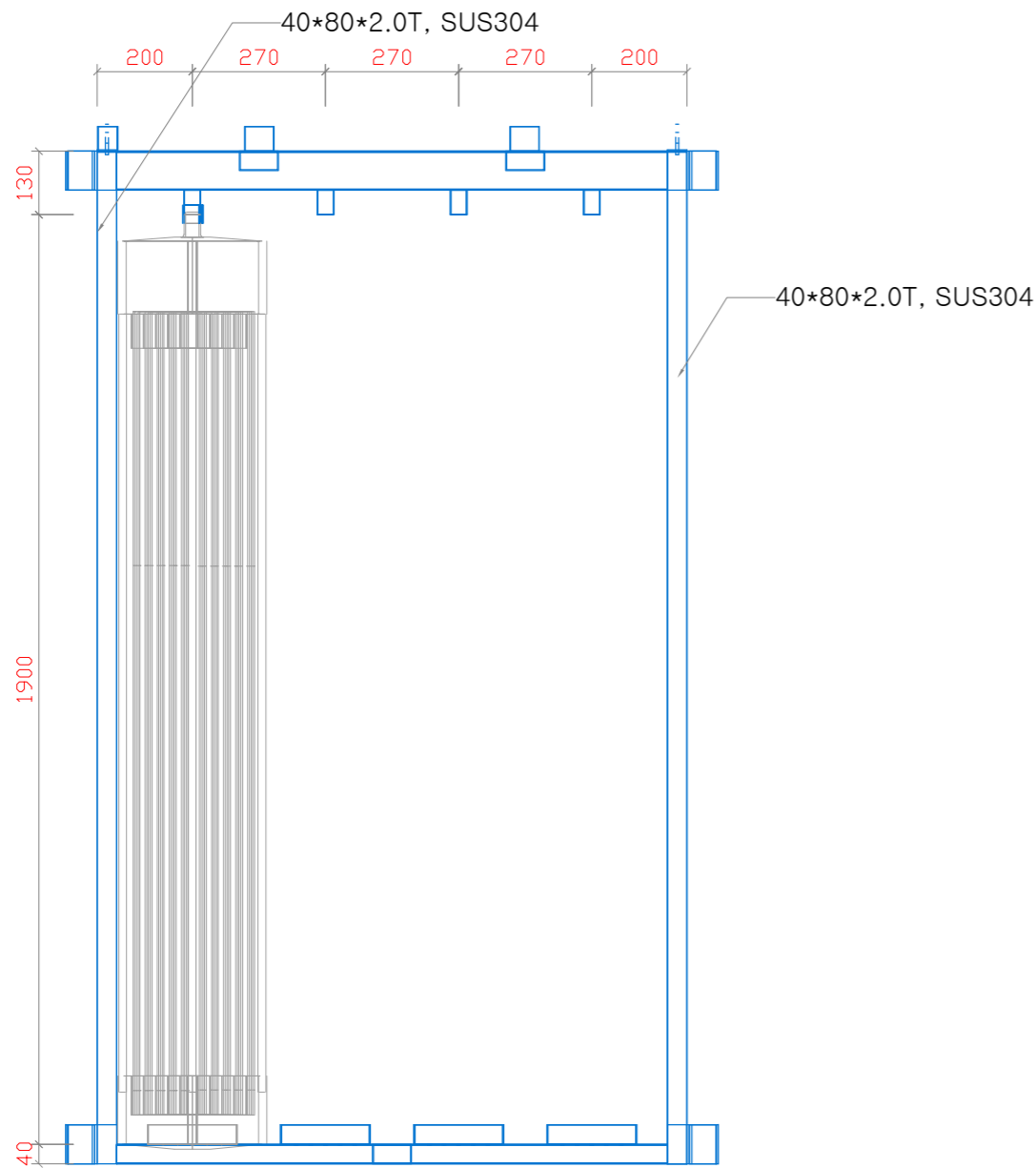
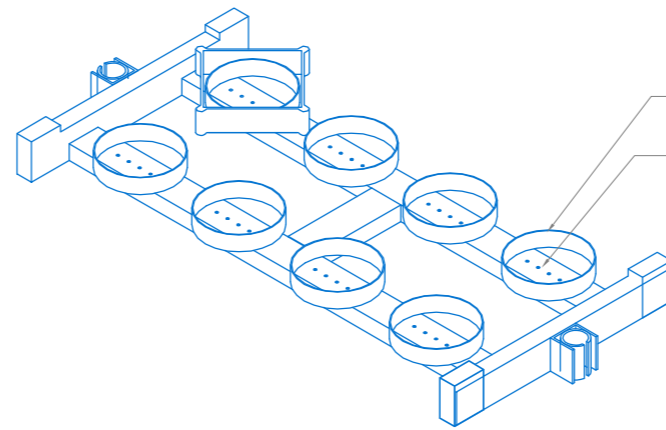
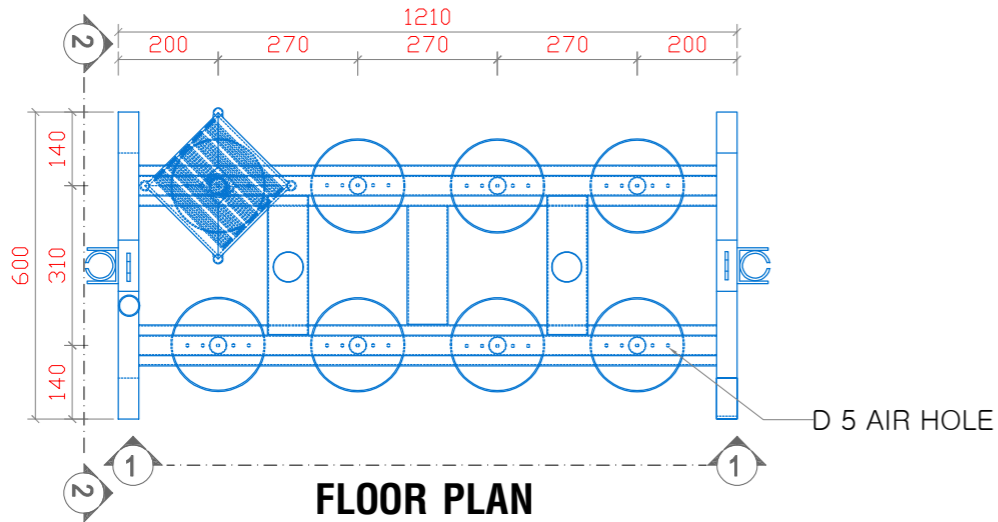
**SECTION 2-2**

REV.	DATE	DESCRIPTION	DWN	CKD	RVD	PM

PROJECT NAME	
CLIENT	
<b>DEERFOS MEMBRANES</b>	
TITLE	<b>DETAIL OF DFX-830 * 6F</b>
SCALE	N/S
REV.	



# DETAIL OF DFX-830\*8F

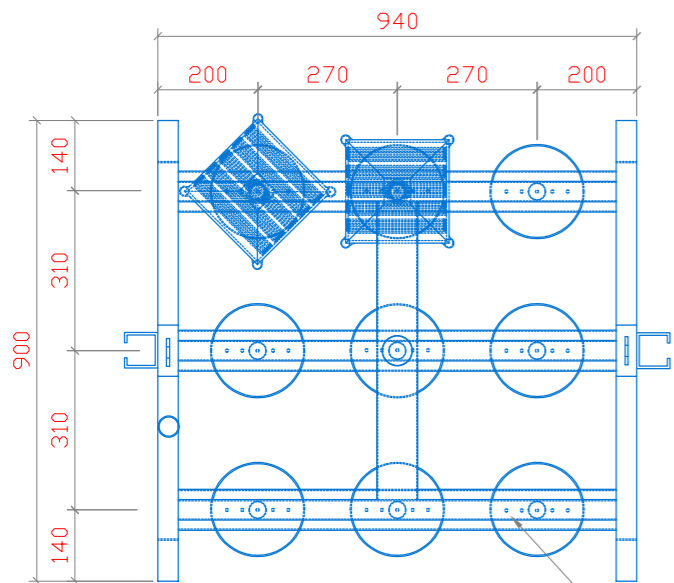


REV.	DATE	DESCRIPTION	DWN	CKD	RVD	PM

PROJECT NAME	
CLIENT	
<b>DEERFOS MEMBRANES</b>	
TITLE	DETAIL OF DFX-830 * 8F
SCALE	N/S
REV.	

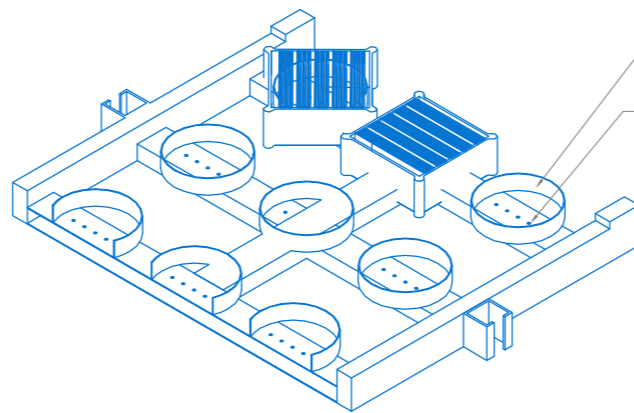


# DETAIL OF DFX-830\*9F

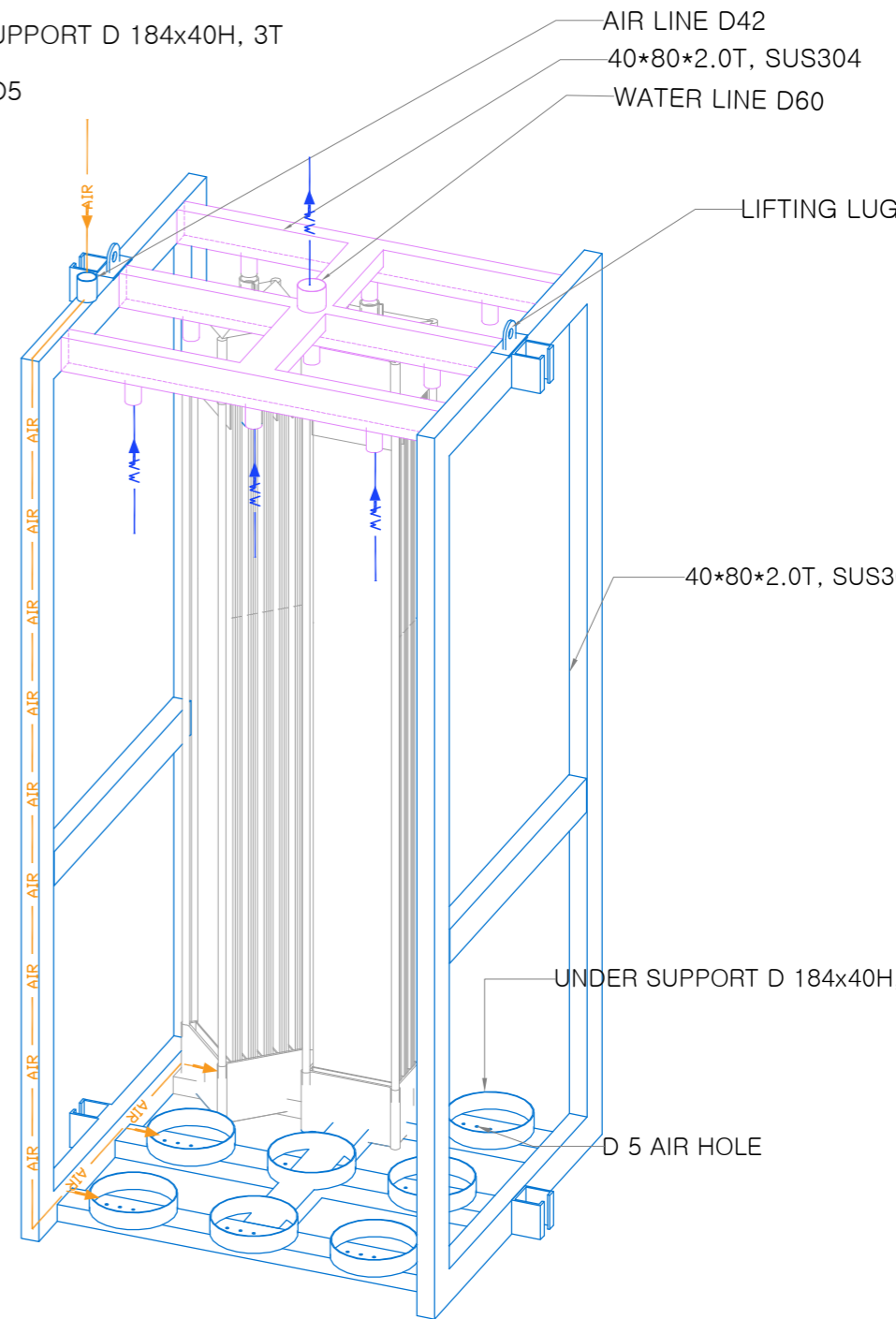


### FLOOR PLAN

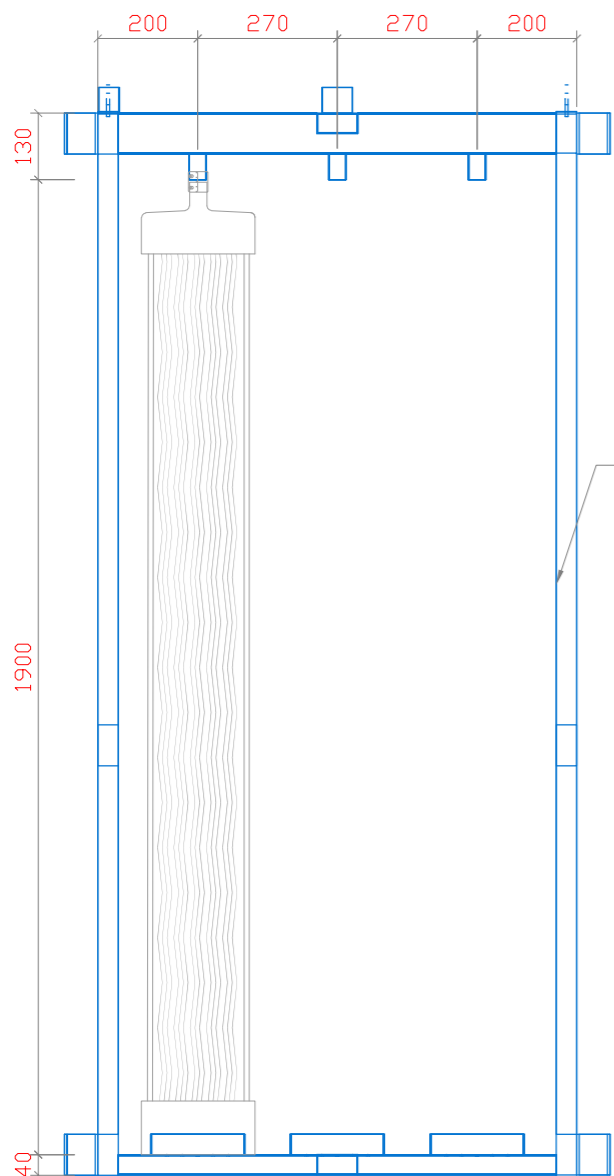
D 5 AIR HOLE



### AIR HOLE DETAIL

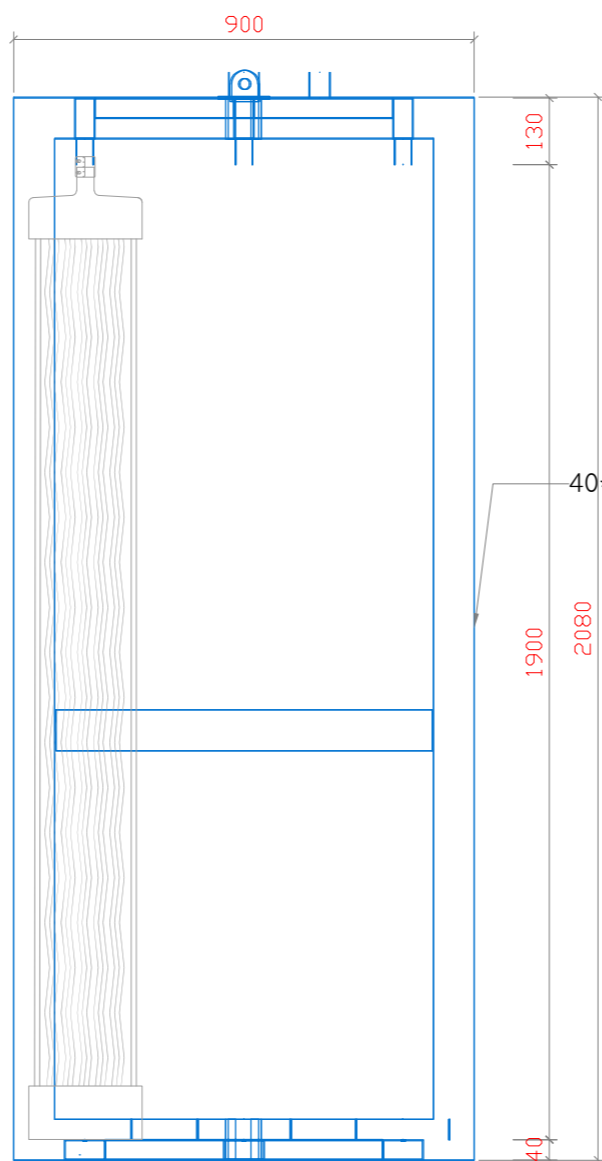


### ISOMETRIC



### SECTION 1-1

40\*80\*2.0T, SUS304



### SECTION 2-2

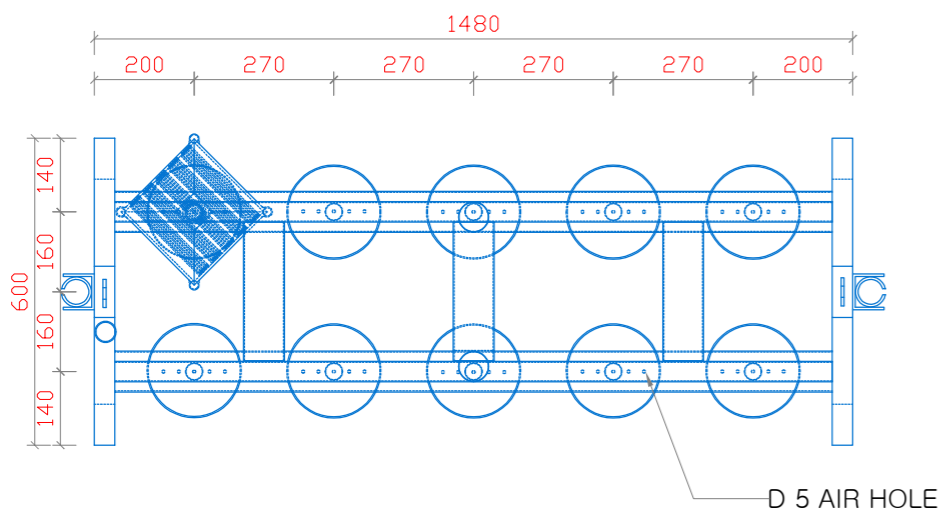
40\*80\*2.0T, SUS304

REV.	DATE	DESCRIPTION	DWN	CKD	RVD	PM

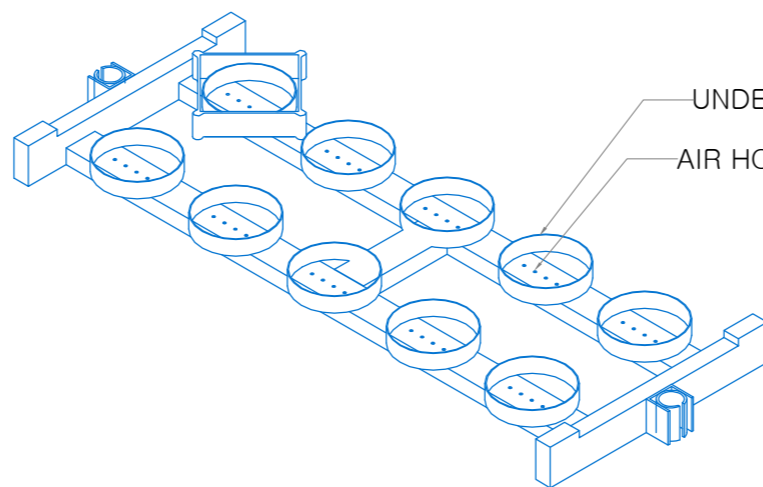
PROJECT NAME	
CLIENT	
<b>DEERFOS MEMBRANES</b>	
TITLE	DETAIL OF DFX-830 * 9F
SCALE	N/S
REV.	



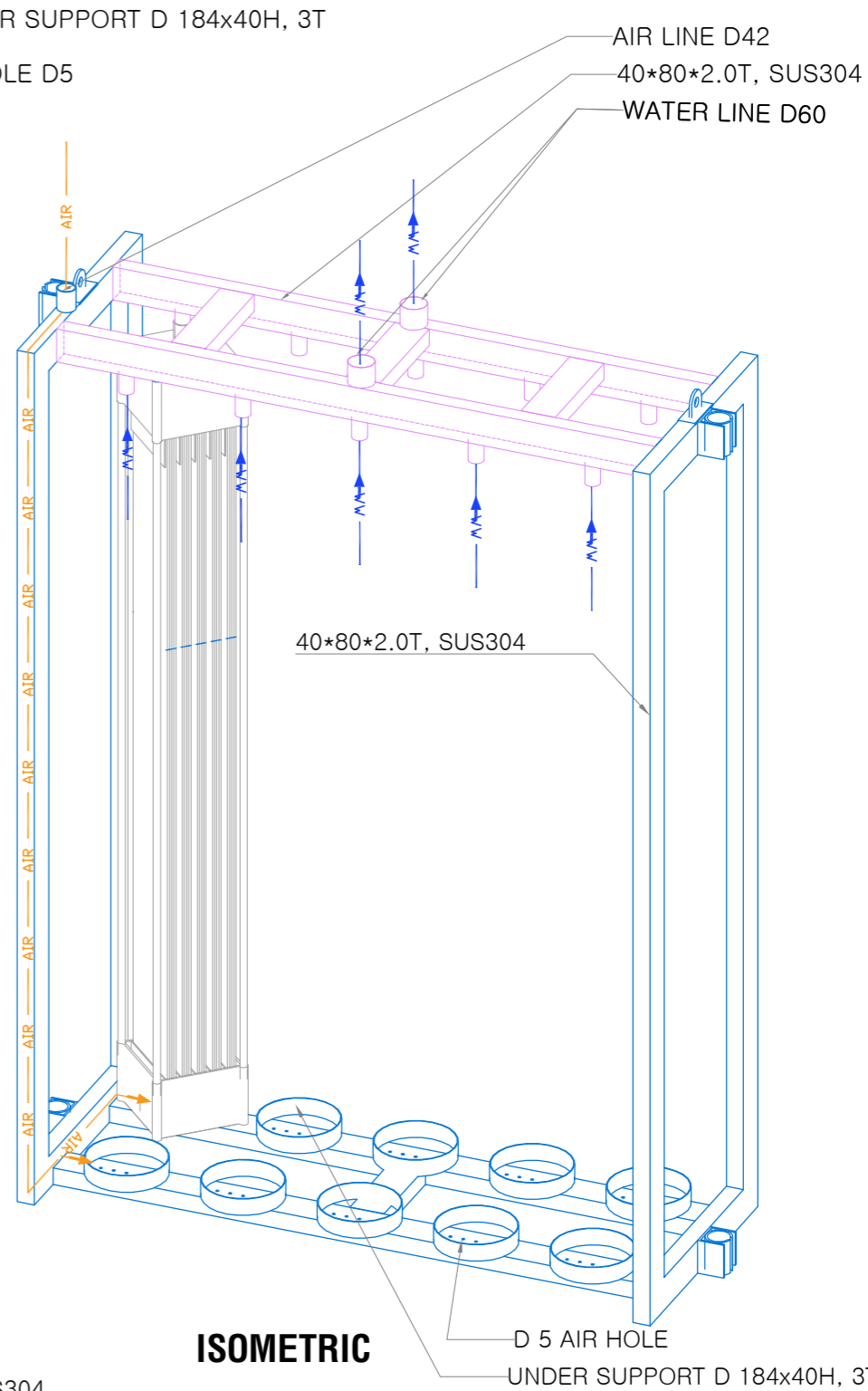
# DETAIL OF DFX-830\*10F



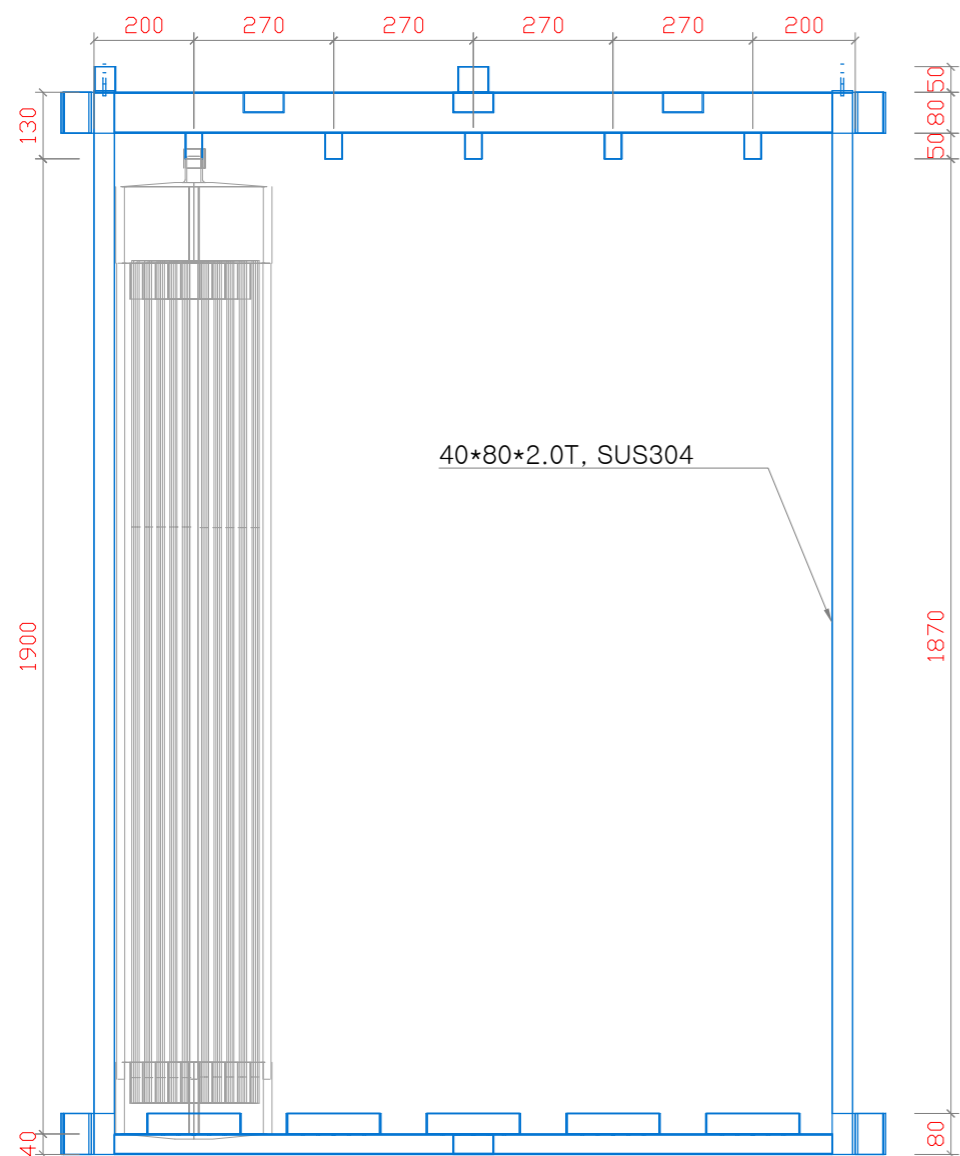
**FLOOR PLAN**



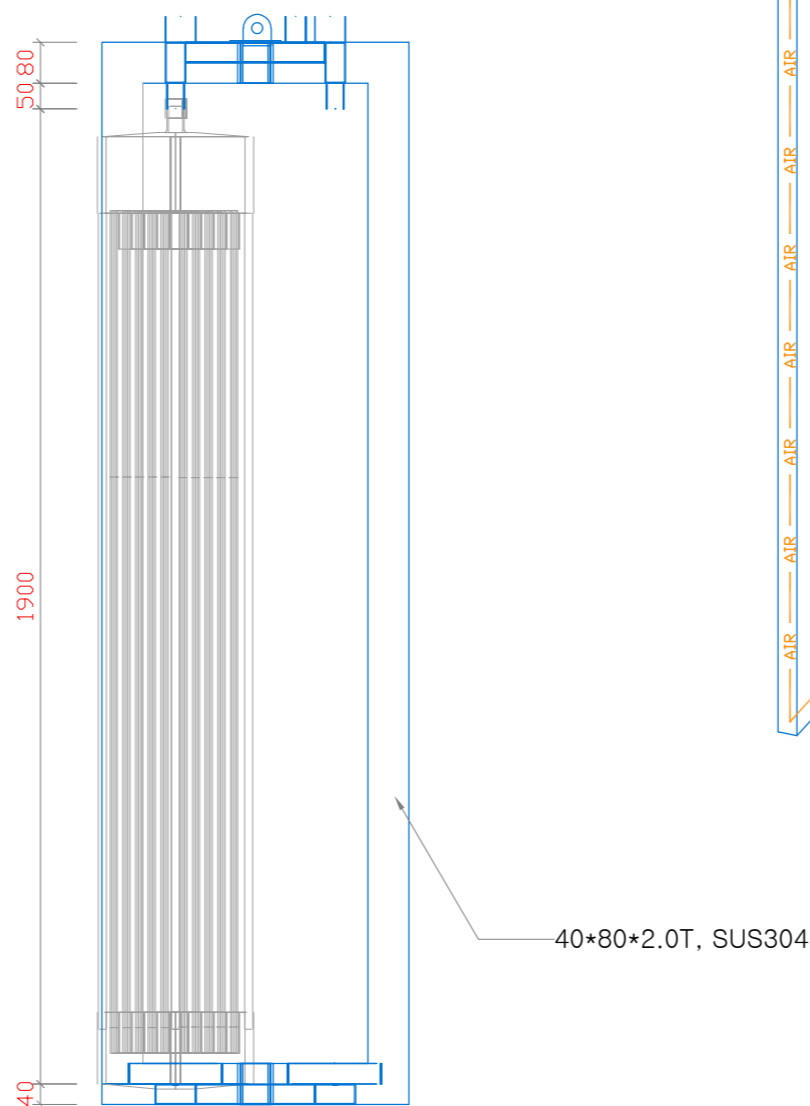
**AIR HOLE DETAIL**



**ISOMETRIC**



**SECTION 1-1**



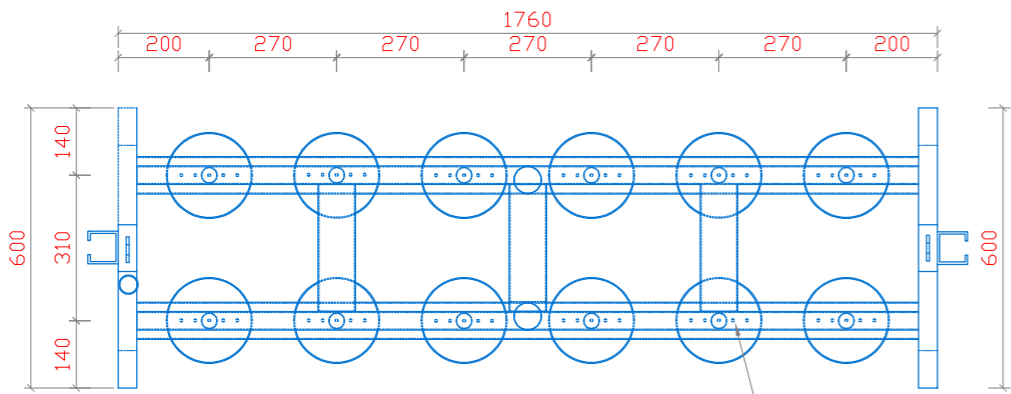
**SECTION 2-2**

REV.	DATE	DESCRIPTION	DWN	CKD	RVD	PM

PROJECT NAME	
CLIENT	
<b>DEERFOS MEMBRANES</b>	
TITLE	DETAIL OF DFX-830 * 10F
SCALE	N/S
REV.	

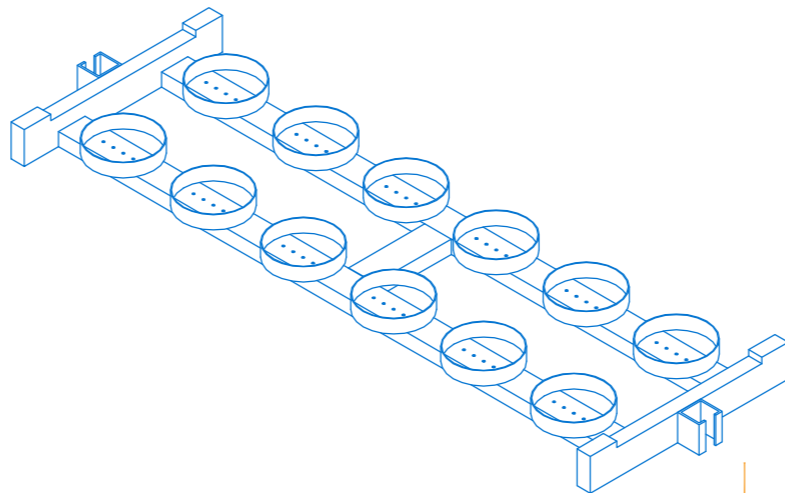


# DETAIL OF DFX-830\*12F



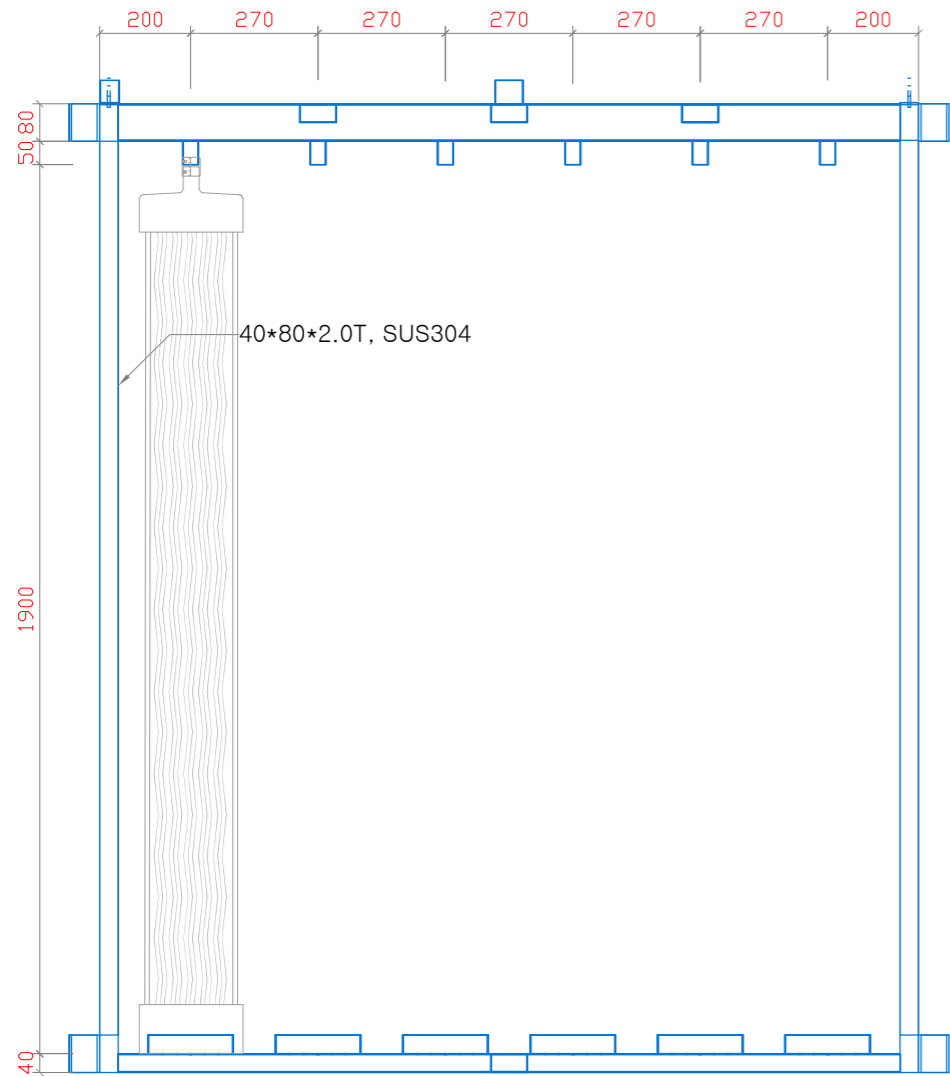
FLOOR PLAN

D 5 AIR HOLE

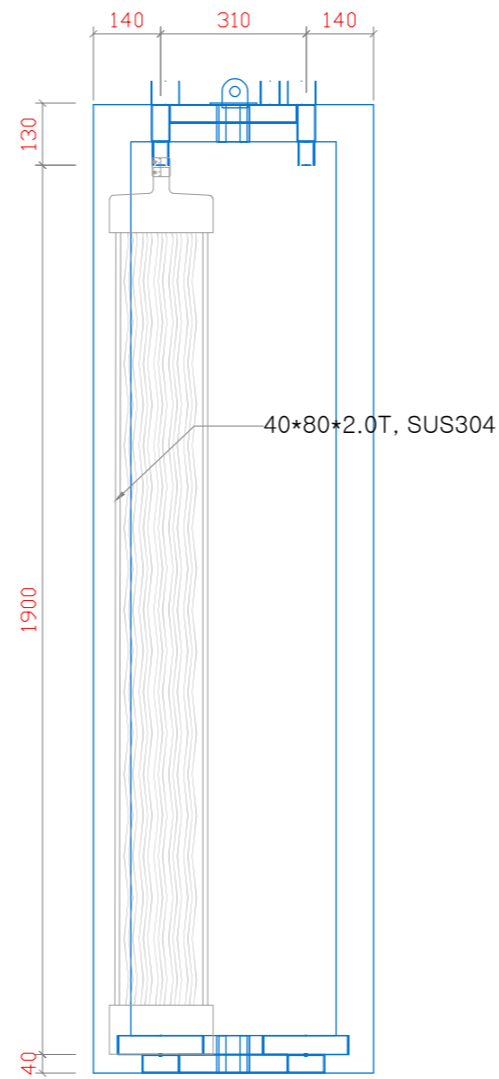


AIR HOLE DETAIL

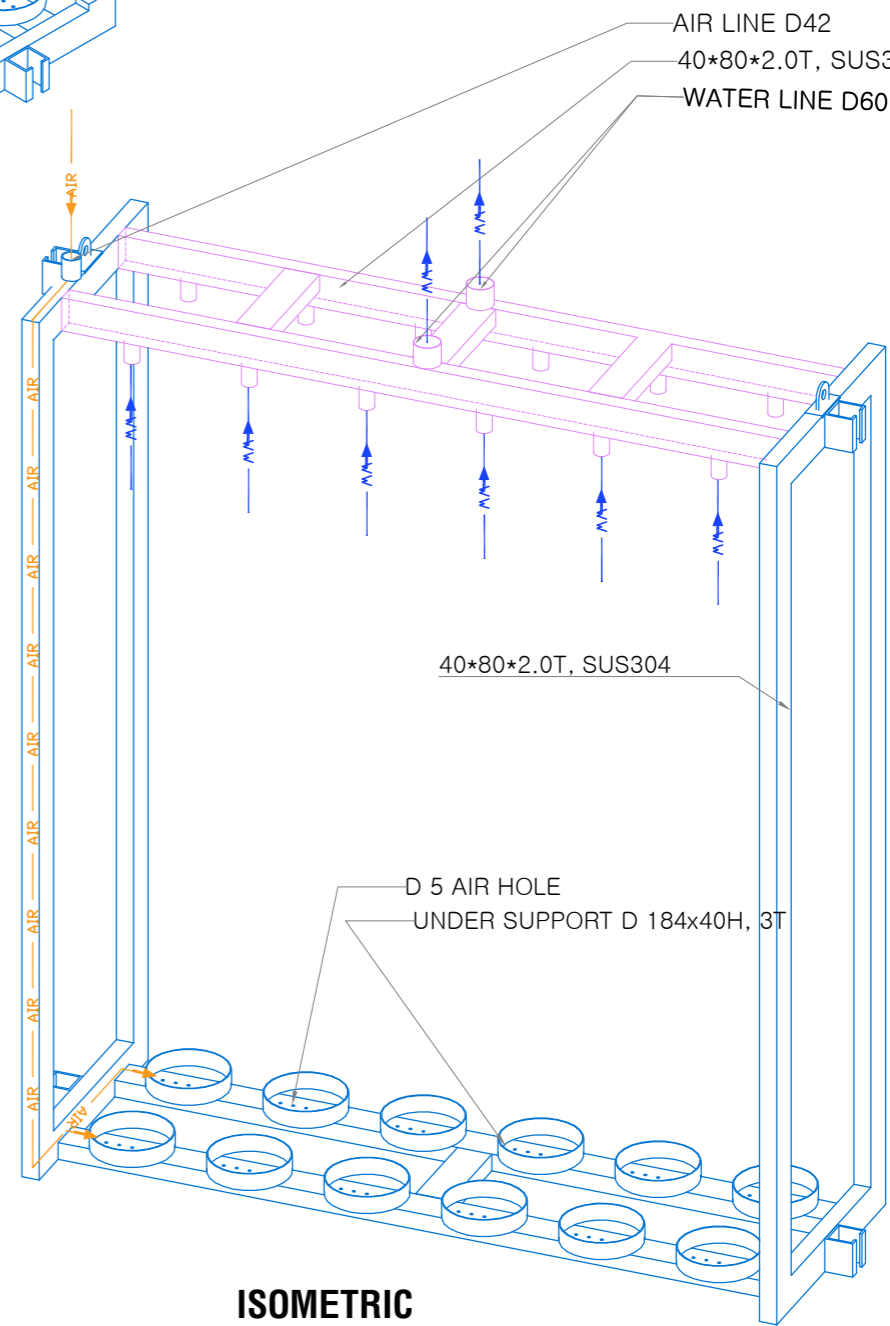
AIR LINE D42  
 40\*80\*2.0T, SUS304  
 WATER LINE D60



SECTION 1-1



SECTION 2-2



ISOMETRIC

PROJECT NAME		
CLIENT		A
		ISSUE
		A
		ISSUE
TITLE		DWG. START DATE
DETAIL OF DFX-830 * 12F		
SCALE		REV. A
N/S		

REV.	DATE	DESCRIPTION	DWN	CKD	RVD	PM

